



## Diaphragm Injection Pump

DI-2135

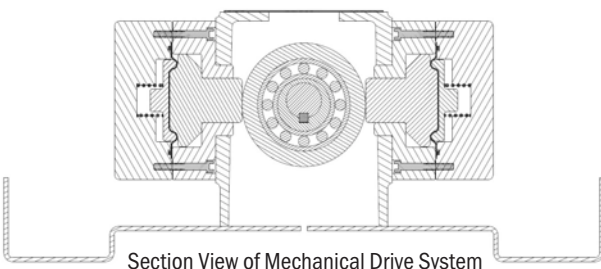
Affordable metered fertilizer pump  
for all size irrigation systems



- Mechanically-balanced
- Chemical-compatibility
- Modular design for easy expansion
- Pre-assembled head kits for quick attachment
- External check-valves
- Corrosion-prevention design
- 35 GPH @ 100psi
- 150psi max. working pressure

CDS-John Blue has developed a new diaphragm injection pump to meet the needs of our customers with large irrigation systems.

The modular design of the DI-2135 allows the user to choose the number of individual pumping heads required for their application. Individual pumping heads can be quickly added or removed in the field allowing for maximum versatility.



## PRODUCT FEATURES

- Available with a single-phase or three-phase electric gearmotor
- Polypropylene, 316 Stainless Steel, Viton® O-rings and Teflon™ wet end components provide a wide array of chemical compatibility.
- Low-maintenance design incorporates sealed bearings, field serviceable external check valves, Teflon™ diaphragms, and a drive system that does not require oil
- Individual pumping heads provide 35 GPH @ 100psi
- 150psi maximum working pressure
- Micrometer-style flow rate adjustment for each individual pumping head
- Available with 1/4" female pipe thread ports, barb fittings, or push-connect fittings
- The gearmotor/pump direction is reversible.

## One of the most versatile injection pumps on the market.



Easily add additional pumping heads without downtime.



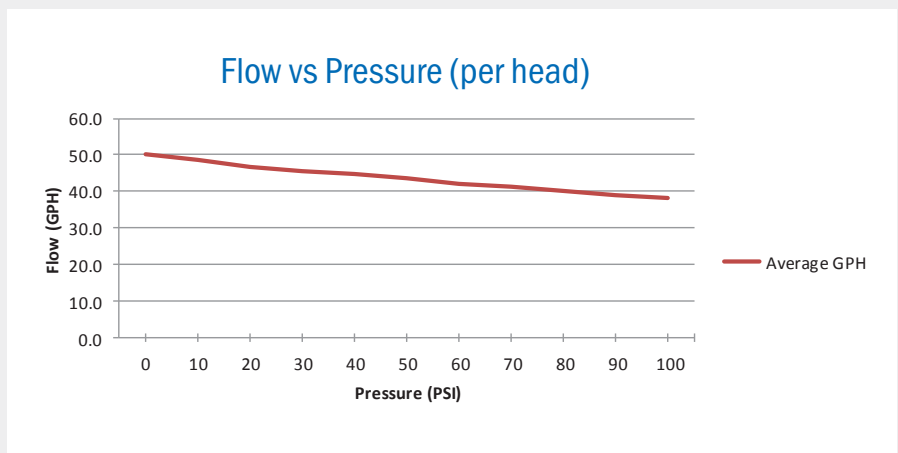
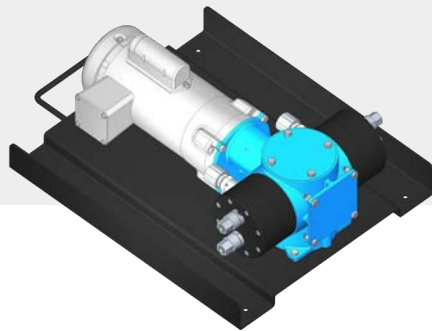
Pump is built to accommodate a large variety of chemical and crop applications.



Up to three chemical products can be applied simultaneously, with independent flow rates for each.

### TEST RESULTS

This graph shows the **Flow vs Pressure** relationship data obtained from the testing performed during the pump development process.



The Pump Company • Since 1886

“Guaranteed to Do the Job”

165 Electronics Blvd. SW, Huntsville, AL 35824 USA

Phone: 800-253-BLUE • Fax: 256-721-9091 • [www.cds-johnblue.com](http://www.cds-johnblue.com)

Publication# DI2135-JUNE18-v1.2

© CDS-John Blue Company • Printed in the USA

