



AP08xx 2.2 GPM
AP12xx 3.6 GPM
AP18xx 4.8 GPM

12v DC Agri-Pump Installation and Operation Manual

WARNING: USE OF THIS PRODUCT FOR ANY PURPOSES OTHER THAN ITS ORIGINAL INTENT, ABUSE OF THE PRODUCT, AND/OR MODIFICATION TO THE ORIGINAL PRODUCT IS STRICTLY PROHIBITED BY CDS-JOHN BLUE COMPANY. CDS-JOHN BLUE COMPANY RESERVES THE RIGHT TO DENY WARRANTY OR LIABILITY CLAIMS IN ANY/ALL SITUATIONS INVOLVING MISUSE, ABUSE OR MODIFICATION.

THE ORIGINAL INTENT OF THIS PRODUCT DOES NOT INCLUDE USE WHERE THE MAXIMUM ALLOWED SPEED, PRESSURE, OR TEMPERATURE IS EXCEEDED, AND IT DOES NOT INCLUDE APPLICATIONS UTILIZING FLUIDS THAT ARE NOT COMPATIBLE WITH THE PRODUCT'S COMPONENT MATERIALS. DO NOT USE THIS PRODUCT WITH FLAMMABLE OR COMBUSTIBLE FLUIDS SUCH AS GASOLINE, KEROSENE, DIESEL, ETC..., AND DO NOT USE IN EXPLOSIVE ATMOSPHERES. FAILURE TO FOLLOW THIS NOTICE MAY RESULT IN SERIOUS INJURY AND/OR PROPERTY DAMAGE AND WILL VOID THE PRODUCT WARRANTY. IF IN DOUBT ABOUT YOUR APPLICATION, CONTACT YOUR STOCKING DEALER OR THE CDS-JOHN BLUE TECHNICAL STAFF AT 1-800-253-2583.

Mounting of the Pump:

1. Locate the pump with adequate ventilation and no more than 10 feet from the tank.
2. The pump can be mounted horizontally or vertically, and it is preferred that the pump be below the tank.
3. The motor feet positions are adjustable to allow replacement of other pump types.

Electrical Connections:

1. Use an appropriately fused power supply (refer to motor label).
2. Connect the red wire to the positive lead and the black to the negative lead. The recommended wire size is AWG 12 for the 3.6 and 4.8 pumps, and AWG 14 for the 2.2 pump.
3. If not using a speed controller, use a properly rated power switch to operate the pump.
4. Note: To prevent motor damage from the pump running continuously or cycling on/off too often, turn off the power when the sprayer is left unattended.

Pump Use and Performance Notes:

1. The duty cycle of the motor is dependent upon motor load (amp draw) and ambient temperature. A maximum motor shell temperature of 158° F (70° C) must not be exceeded for continuous use, and variations of the above conditions that increase the shell temperature above 158° F will govern how long the motor can run between rest periods.
2. Use of orifices/nozzles in the spraying system that are too small will cause the pump pressure switch to cycle off/on too often, which creates a pulsating flow from the pump. This can cause damage to the switch and/or motor, and should be avoided.
3. Failure to flush the pump out after use is a common cause of a non-functioning pump. This happens because the last solution used gums up the valves and/or diaphragm. Be sure to flush and clean the pump before contacting your distributor about any issues.
4. The maximum allowed liquid temperature is 140° F (60° C).

Plumbing Connections:

1. Use of a strainer (which is provided on quick connect models) at the pump head inlet is required to keep large particles out of the system. The minimum required mesh size is 20.
2. Check the pump flow direction (as indicated on the pump head cover).
3. Never use thread sealing tape on pipe threaded models, as the tape may enter the pump and cause valve failure.
4. Note that the use of check valves may affect the priming ability of the pump, and the cracking pressure of the valves must be kept to a minimum.

Storage and Cleaning:

1. After use, flush the pump and let it operate a few minutes at working pressure with a solution that will neutralize the liquid last pumped (refer to the manufacturer's instructions).
2. Empty the pump, so that the pressure drops to zero ("0") and then let the pump run without liquids for two minutes.
3. To protect pump from freezing, flush pump per instructions above (after use) to dilute, and then flush with straight RV-antifreeze.

Service Kits:

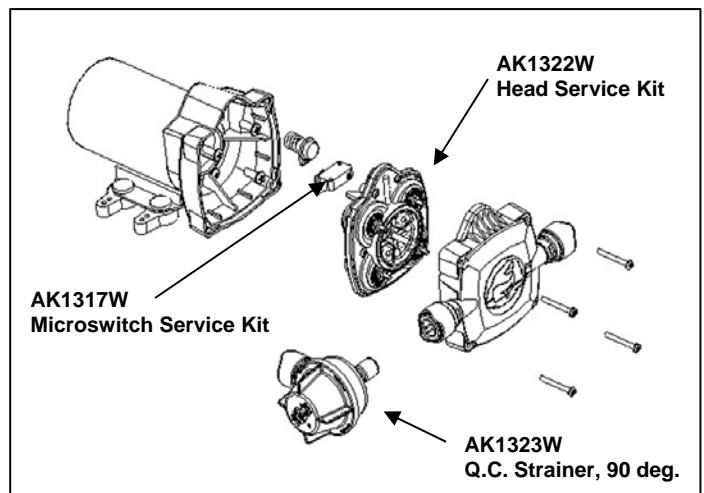


Figure 1: Service Kit Details (Quick-connect model shown)

Troubleshooting:

Problem	Cause	Solution
Motor does not run	Pump head gummed up with last fluid used	Flush pump and clean valves/diaphragm
	No power to pump	Check power supply with meter Re-attach leads/clean connections Check fuse
	Blockage in plumbing	Check plumbing for kinks
Motor runs but no fluid appears	No fluid getting to pump	Check that tank is not empty Check that strainer is not blocked Check all connections from tank to inlet of pump are secure (any air leaks will prevent prime)
Motor runs and will not switch off	Fluid leaking at outlet side of pump	Check plumbing/fittings for leaks Check that system drain plugs are closed
	No fluid getting to pump	See solutions above for: "No fluid getting to pump"
Motor cycles on and off periodically when valve(s) are closed	Fluid leaking at outlet side of pump	Check plumbing/fittings for leaks Check for a partially opened (leaking) valve Check that system drain plugs are closed
Motor cycles on and off excessively when valve(s) are open	Excessive back pressure	Check plumbing for kinks, and check nozzles, filters, and orifices for blockage Verify that orifices and nozzles are not undersized
Noisy pump operation	Pump drawing air	See solutions above for: "No fluid getting to pump"
	Noise created by vibration	Check that pump is secured to a solid surface Check that the pump body is not in contact with a hard surface (relocate if necessary) Check that plumbing is securely supported

LIMITED WARRANTY

THIS WARRANTY IS IN LIEU OF ALL OTHER WRITTEN OR EXPRESS WARRANTIES AND REPRESENTATIONS. ANY IMPLIED WARRANTIES INCLUDING MERCHANTABILITY OR FITNESS FOR ANY PARTICULAR PURPOSE ARE EXPRESSLY LIMITED TO THIS WRITTEN WARRANTY. CDS-JOHN BLUE COMPANY SHALL NOT BE LIABLE FOR CONSEQUENTIAL DAMAGES.

Use of this product for any purpose other than its original intent, abuse of the product, and/or any modification to the original product is strictly prohibited by the manufacturer, CDS-John Blue Company. Any modification to the product should be approved by CDS-John Blue Company prior to use. CDS-John Blue Company will deny Warranty claims and liability in any situation involving misuse, abuse or modification.

Each new machine or component manufactured by CDS-John Blue Company through original buyer is warranted by CDS-John Blue Company to buyer and to any party or parties to whom buyer may resell, lease or lend the equipment to be free from defects in material and workmanship under normal use and service. This obligation of CDS-John Blue Company under this warranty is limited to the repair or replacement of defective parts or correction of improper workmanship of any parts of such equipment which shall within one year from the date of CDS-John Blue's original delivery thereof, be returned to CDS-John Blue's factory, transportation charges prepaid and which CDS-John Blue Company shall determine to its satisfaction upon examination thereof to have been thus defective. When it is impractical to return the defective parts of such equipment to CDS-John Blue's factory, then CDS-John Blue shall have no liability for the labor cost involved in repairing or replacing any such parts and shall be liable solely for supplying the material necessary to replace or repair the defective parts, provided that prior thereto CDS-John Blue Company shall have determined to its satisfaction that any such parts are thus defective.

This warranty shall not apply to any equipment which shall have been repaired or altered outside CDS-John Blue's factory in any way so as to affect its durability, nor which has been subjected to misuse, abuse, negligence or accident, or operated in any manner other than in accordance with operating instructions provided by CDS-John Blue Company. This warranty does not extend to repairs made necessary by the use of inferior or unsuitable parts or accessories, or parts or accessories not recommended by CDS-John Blue Company.

CDS-John Blue Company makes no warranties in respect to parts, accessories or components not manufactured by CDS-John Blue Company, same ordinarily being warranted separately by their respective manufacturers.

DIVISION OF ADVANCED SYSTEMS TECHNOLOGIES HUNTSVILLE, AL (256) 721-9090

CDS-John Blue Company

Division of Advanced Systems Technology
290 Pinehurst Dr., Huntsville AL 35806
PO Box 1607, Huntsville AL 35807

Telephone: (256) 721-9090 • Fax (256)-721-9091 • Toll Free 1-800-253-2583

YOUR LOCAL DEALER