

PACKING

AxBxC	x	x
netto	Kg.	
lordo	Kg.	
	m ³	

FM - 10 - WB

INSTALLATION & OPERATION MANUAL



IMPORTANT: THE FUSE WAS REMOVED FOR TRANSPORTATION REASONS. YOU MUST REPLACE THE FUSE IN THE FUSE HOLDER IN ORDER TO START THE MINIMARKER.

MODEL FM-10-WB

USE OF FOAM MARKER

The foam marker is used to mark the working area with balls of foam. It eliminates the risk of improper overlapping and space gaps during the spraying and/or spreading process. The minimarker was designed to fit most walk spreaders, walk sprayers, drop spreaders and ATVs.



COMPONENTS

The minimarker has the following major components:

- . 1 gallon tank
- . 12 Vdc air compressor
- . Right and left (on-off-on) switch box
- . Foam nozzle assembly
- . Power supply & compressor cable
- . Air-liquid tubing

NOTE: PLEASE REFER TO THE PARTS BREAK DOWN FOR THE COMPLETE COMPONENTS LIST

www.cds-johnblue.com

1-800-253-2583

FM - 10 - WB

INSTALLATION PROCEDURES

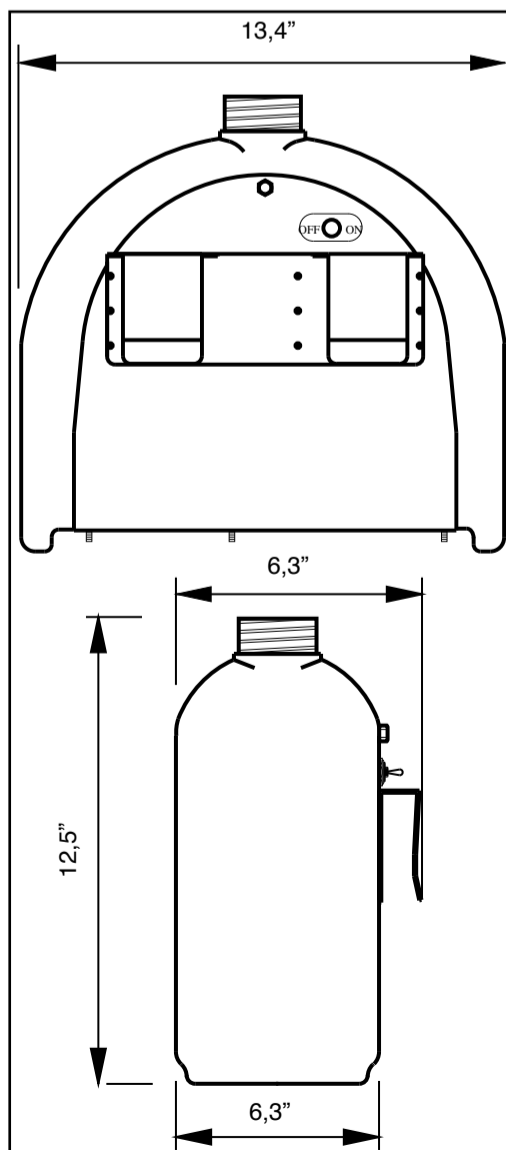
is 12 lbs.

IMPORTANT: Read all instruction before installing and operating the foam marker.

GENERAL INSTALLATION INSTRUCTIONS

The MiniMarker can be easily installed on either side of walk spreaders and walk sprayers.

DIMENSION & WEIGHT

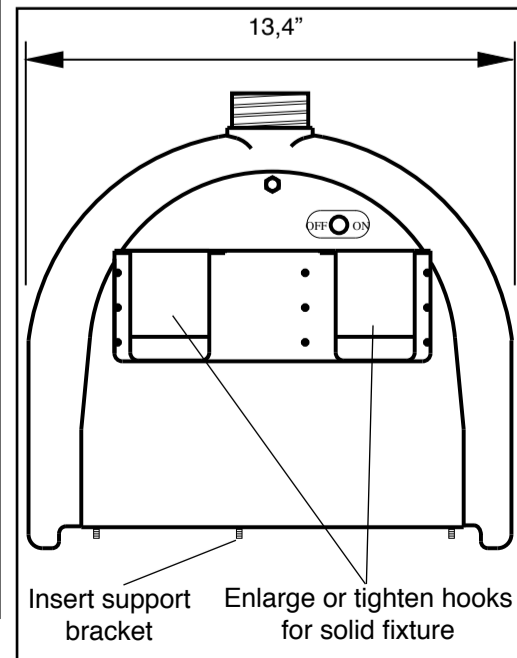


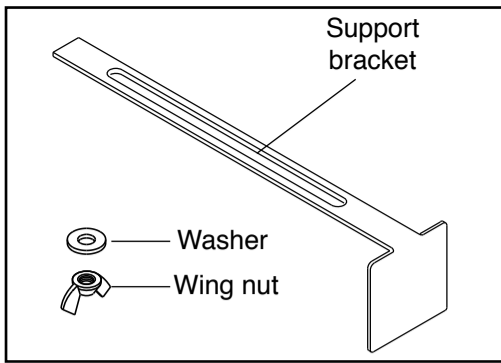
OVERALL DIMENSIONS

When empty, the weight of the minimarker

INSTALLATION OF TANK

- Determine the best location for the minimarker (tank).
- Mount the tank on the spread or sprayer with the two hooks (see figure below).
- Enlarge or tighten the two hooks for solid fixture.
- Using the wing nut screw and washer, screw on the support bracket (see figure). Do not tighten the wing nut.
- Slide the support bracket until the surface rests on the spreader or sprayer, Now Tighten the wing nut.



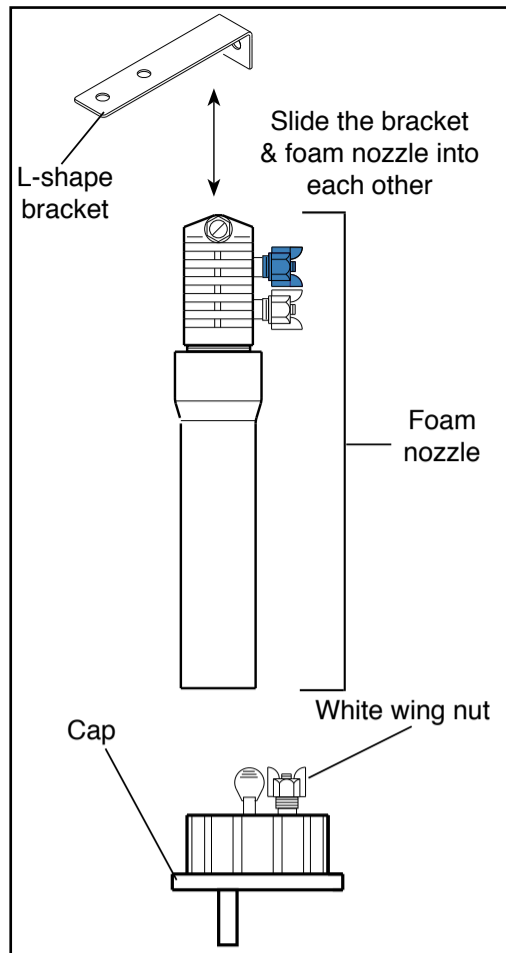
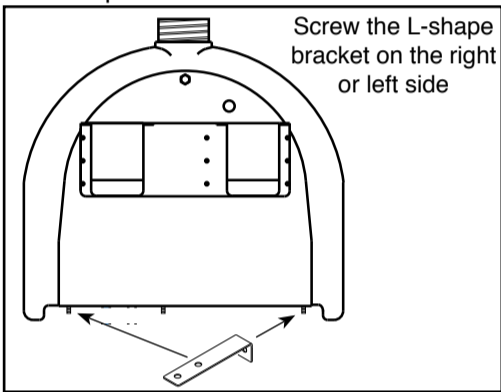


INSTALLATION OF FOAM NOZZLE

- Determine which side of tank you want the foam nozzle.
- Using the wing nut screw and washer, screw the L-shape bracket.
- Remove the bolt and nut from the foam nozzle.
- Slide the foam nozzle and L-shape bracket until the two holes are aligned.
- Insert back the bolt and nut. Tighten the screw using a screwdriver.

AIR CONNECTION OF CAP

- Air connection to the cap of the tank is factory mounted. However if it is not, connect the clear tube (air outlet) coming from the compressor to the white wing nut of the cap.



INSTALLATION OF FLOW REGULATOR

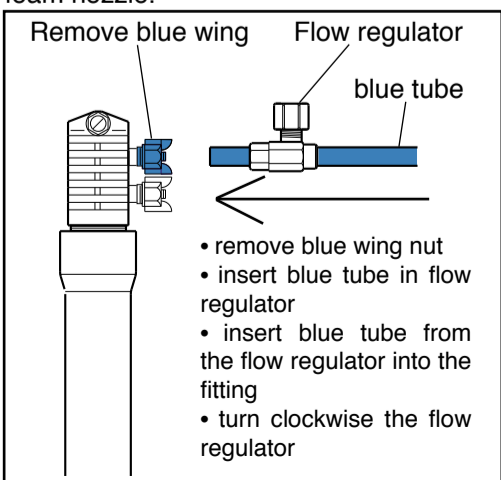
- From the 6,5ft of tubing, cut the needed length of blue and white tubing. 12 inches of white and blue tubing are usually the measurement needed. However, for ATV application more than 12 inches might be necessary.
- Insert the blue tube in the flow regulator. It is important to insert the tube from the non-threaded side.
- Remove the blue wing nut on the foam nozzle.

3

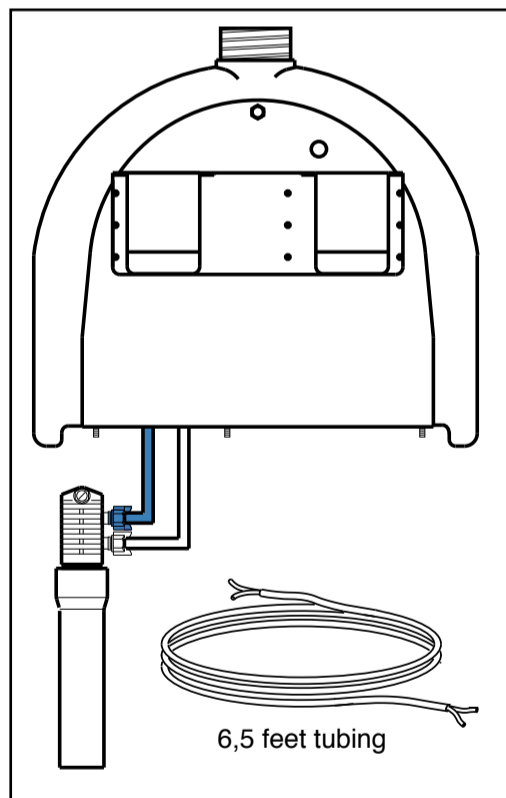
- Slide the blue tube from the flow regulator around the fitting. **MAKE SURE TO SLIDE IT COMPLETELY**
- Turn the flow regulator clock wise.

INSTALLATION OF AIR-LIQUID TUBING

- Insert the other side of the blue tube in the fitting under the tank (the fitting with the blue label).
- After installing the flow regulator, insert the other side of the blue tube in the fitting under the tank (the fitting with the blue label).
- Using the blue wing nut, tighten the blue tube under the tank. **ALWAYS MAKE SURE THE TUBE GOES ALL THE WAY IN THE FITTING.**
- With the white or clear tube, insert one end to the foam nozzle fitting and the other end under the tank (the fitting with the white label).
- Using the white wing nut, tighten the white tube under the tank and on the foam nozzle.



- remove blue wing nut
- insert blue tube in flow regulator
- insert blue tube from the flow regulator into the fitting
- turn clockwise the flow regulator



BATTERY, CHARGE & FUSE

The battery is 12 Vdc sealed. A fully charged battery lasts approximately 2,5 to 3 hours long.

Bigger batteries (6 hours) are available upon request. Please note that the weight of the minimarker will increase of 4 lbs with the bigger battery.

The charge input and output are as follows.

Input: 120 Vac, 60 KHz

Output: 12 Vdc, 0,8 amps

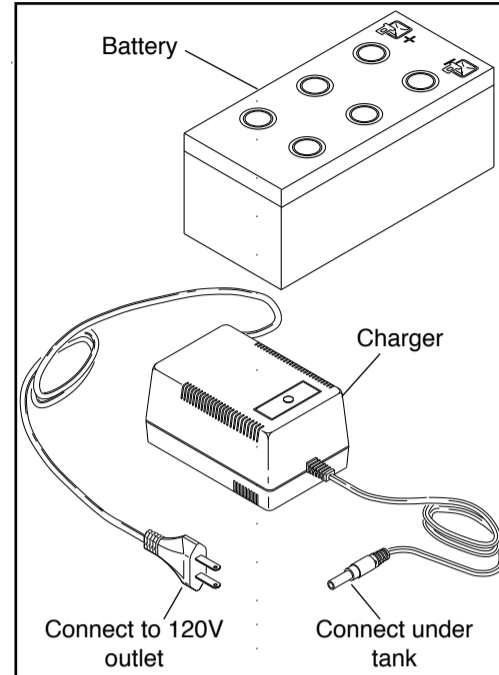
The charge takes approximately 3 hours to fully charge the battery. To charge the

4

battery, connect the small end of the charge under the tank. Connect the other end to the 120 V outlet.

IMPORTANT: EACH CHARGER HAS A DIFFERENT CONNECTION FOR POSITIVE AND NEGATIVE. THEREFORE WE STRONGLY RECOMMEND TO USE OUR CHARGER.

The fuse is 2 amps. The fuse holder is located under the tank.



OPERATION

ON-OFF

THE FUSE WAS REMOVED FOR TRANSPORTATION REASONS. YOU MUST REPLACE THE FUSE IN THE FUSE HOLDER IN ORDER TO START THE MINIMARKER.

The switch is used to start the compressor. To operate simply select "ON". Selecting "OFF" will stop the compressor.

MIXING SOAP IN TANK &

CONTROLLING THE FLOW

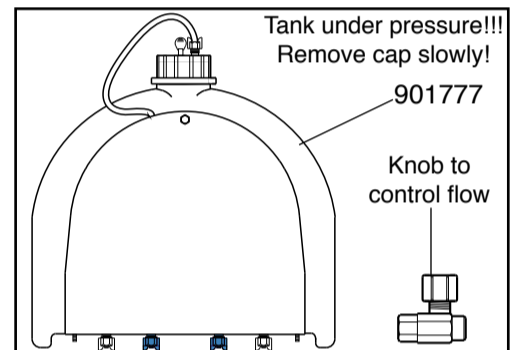
CAUTION: CONTENTS IN TANK MAY BE UNDER PRESSURE. WHEN REMOVING CAP FROM TANK, UNSCREW CAP SLOWLY TO RELIEVE PRESSURE OR USE THE INSTALLED RELEASE VALVE.

Remove cap from tank. Fill the tank with the desired amount of water first, and then add soap. To avoid making unnecessary foam in the tank, always add water first, then soap. Replace cap on the tank and tighten hand tight. Temperature, sunlight, relative humidity, hardness of water, soap concentration and wind condition are some of the variables which affect the foam ball life span.

When using Salvarani foam agent, 1 to 3 ounces of soap agent should be used for 1 gallon of water. **NOT ALL SOAP AGENTS ARE EQUAL !!!**

The foam nozzle, has flow regulator to control the output of the foam liquid. By turning the knob clockwise, the foam ball output will be less frequent. By turning the knob counter clockwise, the foam ball output will be more frequent.

TO AVOID FOAM BALLS TO STAY TOO LONG ON THE TURF, ALWAYS PUT LESS SOAP AGENT.



5

TROUBLESHOOTING

The following table summarizes different problem conditions.

CONDITION	POSSIBLE CAUSES	SOLUTIONS
1. Compressor will not turn on	A. Corroded connections B. Disconnected C. Blown fuse	A. Inspect and clean B. Check wiring C. Replace fuse
2. Foam does not come out from nozzle	A. No concentrate in tank B. Tank cap loose C. Compressor filter clogged	A. Add concentrate in tank B. Tighten cap C. Clean or replace filter
3. Foam ball does not form completely	A. Soap concentrate to low B. Restrictor not in place C. Water too hard	A. Dump and remix higher B. See foam nozzle assembly in parts break down C. Use water softener with concentrate
4. Foam marker is off but air or liquid are still coming out	A. Valves are dirty B. Valves are broken	A. Blow air in the valves B. Replace broken valves

6