



Adjustable Spring Flow Divider

Installation and Operation Manual

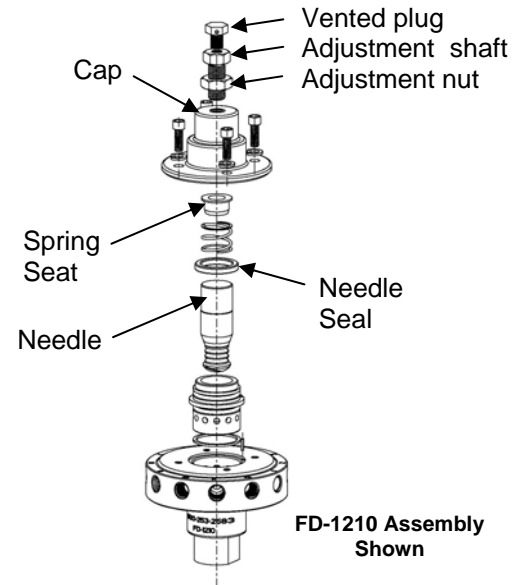
WARNING: USE OF THIS PRODUCT FOR ANY PURPOSES OTHER THAN ITS ORIGINAL INTENT, ABUSE OF THE PRODUCT, AND/OR MODIFICATION TO THE ORIGINAL PRODUCT IS STRICTLY PROHIBITED BY CDS-JOHN BLUE COMPANY. CDS-JOHN BLUE COMPANY RESERVES THE RIGHT TO DENY WARRANTY OR LIABILITY CLAIMS IN ANY/ALL SITUATIONS INVOLVING MISUSE, ABUSE OR MODIFICATION.

THE ORIGINAL INTENT OF THIS PRODUCT DOES **NOT** INCLUDE USE WHERE THE MAXIMUM ALLOWED PRESSURE OR TEMPERATURE IS EXCEEDED, AND IT DOES **NOT** INCLUDE APPLICATIONS UTILIZING FLUIDS THAT ARE NOT COMPATIBLE WITH THE PRODUCT'S COMPONENT MATERIALS. DO NOT USE THIS PRODUCT WITH FLAMMABLE OR COMBUSTIBLE FLUIDS SUCH AS GASOLINE, KEROSENE, DIESEL, ETC..., AND DO NOT USE IN EXPLOSIVE ATMOSPHERES. FAILURE TO FOLLOW THIS NOTICE MAY RESULT IN SERIOUS INJURY AND/OR PROPERTY DAMAGE AND WILL VOID THE PRODUCT WARRANTY. IF IN DOUBT ABOUT YOUR APPLICATION, CONTACT YOUR STOCKING DEALER OR THE CDS-JOHN BLUE TECHNICAL STAFF AT 1-800-253-2583.

WARNING: FD SERIES FLOW DIVIDERS ARE ONLY INTENDED FOR USE WITH THE DISTRIBUTION OF LIQUID FERTILIZER PRODUCTS. USING AN FD SERIES FLOW DIVIDER WITH ANHYDROUS AMMONIA OR ANY OTHER UNAPPROVED PRODUCT IS EXPRESSLY PROHIBITED BY THE MANUFACTURER AND MAY RESULT IN FLUID DISPERSION, CAUSING SERIOUS INJURY AND/OR DEATH.

Kit Installation (if not already assembled at factory):

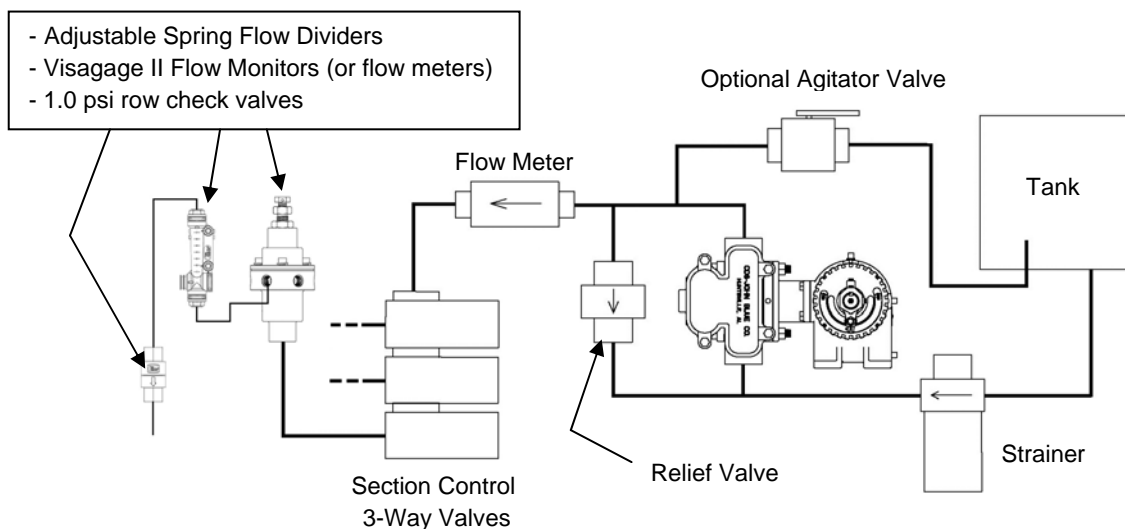
1. Remove the flow divider cap by removing the bolts that retain it. Remove the needle seal from the cap if necessary, and discard the short metal spacer tube (that was inside of the spring).
2. Loosely install the adjustment shaft, nut, and plug as shown into the new cap. (the new cap has straight pipe threads to accept the shaft)
3. Install the needle seal on to the needle and place the new spring seat onto the spring.
4. Install the new cap onto the body and re-install the bolts.
5. Turn the adjustment shaft down by hand until a slight resistance is felt – this will be the starting point for adjustment. Tighten the nut to lock the shaft.



FD-1210 Assembly Shown

Other Required Components for Sectional Control:

Adjustable spring flow dividers may be used to balance multiple branches of a liquid system with sectional control, but note that other components will be necessary to both set-up and run the system. The following diagram shows an example system with the necessary components:



Notes:

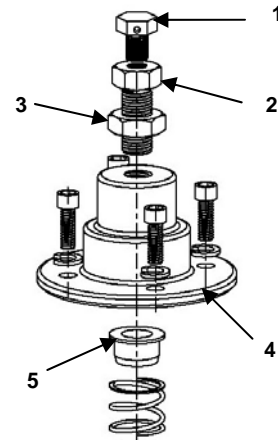
- It is recommended that CDS-John Blue 1 psi (max.) check valves be used at the end of each row line.
- CDS-John Blue Visagage II flow monitors (or flowmeters) are required to adjust the flow dividers and balance the sections (see next page).

System Setup and Calibration Instructions:

1. As mentioned in the previous section, Visagage II SMFD flow monitors, or some type of flow meter/totalizer for each branch, will be required to calibrate the flow dividers.
2. The system should be run in setup or calibration mode and the flow through each section read to identify the higher flowing branches. Adjust the two flow dividers with higher readings by turning in the screws until the Visagage balls are equal.
3. **IMPORTANT:** Stop the pump, then restart and check the flow readings. This stop/start process will likely need to be repeated several times to finalize the adjustments.
4. Lock the adjustment shafts in place with the nut on every flow divider.

Parts Breakdown:

Item	Description	FD0610 Part #	FD1210 Part #	FD2010 Part #
1	VENTED PLUG	116067-01	116067-01	116067-01
2	ADJUSTMENT SHAFT	116059-01	116059-01	116059-01
3	ADJUSTMENT NUT	116060-01	116060-01	116060-01
4	CAP	116028-01	115146-01	115401-01
5	SPRING SEAT	116061-01	116061-01	116062-01



LIMITED WARRANTY

THIS WARRANTY IS IN LIEU OF ALL OTHER WRITTEN OR EXPRESS WARRANTIES AND REPRESENTATIONS. ANY IMPLIED WARRANTIES INCLUDING MERCHANTABILITY OR FITNESS FOR ANY PARTICULAR PURPOSE ARE EXPRESSLY LIMITED TO THIS WRITTEN WARRANTY. CDS-JOHN BLUE COMPANY SHALL NOT BE LIABLE FOR CONSEQUENTIAL DAMAGES.

Use of this product for any purpose other than its original intent, abuse of the product, and/or any modification to the original product is strictly prohibited by the manufacturer, CDS-John Blue Company. Any modification to the product should be approved by CDS-John Blue Company prior to use. CDS-John Blue Company will deny Warranty claims and liability in any situation involving misuse, abuse or modification.

Each new machine or component manufactured by CDS-John Blue Company through original buyer is warranted by CDS-John Blue Company to buyer and to any party or parties to whom buyer may resell, lease or lend the equipment to be free from defects in material and workmanship under normal use and service. This obligation of CDS-John Blue Company under this warranty is limited to the repair or replacement of defective parts or correction of improper workmanship of any parts of such equipment which shall within one year from the date of CDS-John Blue's original delivery thereof, be returned to CDS-John Blue's factory, transportation charges prepaid and which CDS-John Blue Company shall determine to its satisfaction upon examination thereof to have been thus defective. When it is impractical to return the defective parts of such equipment to CDS-John Blue's factory, then CDS-John Blue shall have no liability for the labor cost involved in repairing or replacing any such parts and shall be liable solely for supplying the material necessary to replace or repair the defective parts, provided that prior thereto CDS-John Blue Company shall have determined to its satisfaction that any such parts are thus defective.

This warranty shall not apply to any equipment which shall have been repaired or altered outside CDS-John Blue's factory in any way so as to affect its durability, nor which has been subjected to misuse, abuse, negligence or accident, or operated in any manner other than in accordance with operating instructions provided by CDS-John Blue Company. This warranty does not extend to repairs made necessary by the use of inferior or unsuitable parts or accessories, or parts or accessories not recommended by CDS-John Blue Company.

CDS-John Blue Company makes no warranties in respect to parts, accessories or components not manufactured by CDS-John Blue Company, same ordinarily being warranted separately by their respective manufacturers.

DIVISION OF ADVANCED SYSTEMS TECHNOLOGIES HUNTSVILLE, AL (256) 721-9090

CDS-John Blue Company

Division of Advanced Systems Technology
 165 Electronics Blvd., Huntsville AL 35824
 Telephone: (256) 721-9090 • Fax (256)-721-9091
 Toll Free 1-800-253-2583