



**AKSC15-2xx 15 Amp**  
**AKSC35-2xx 35 Amp**

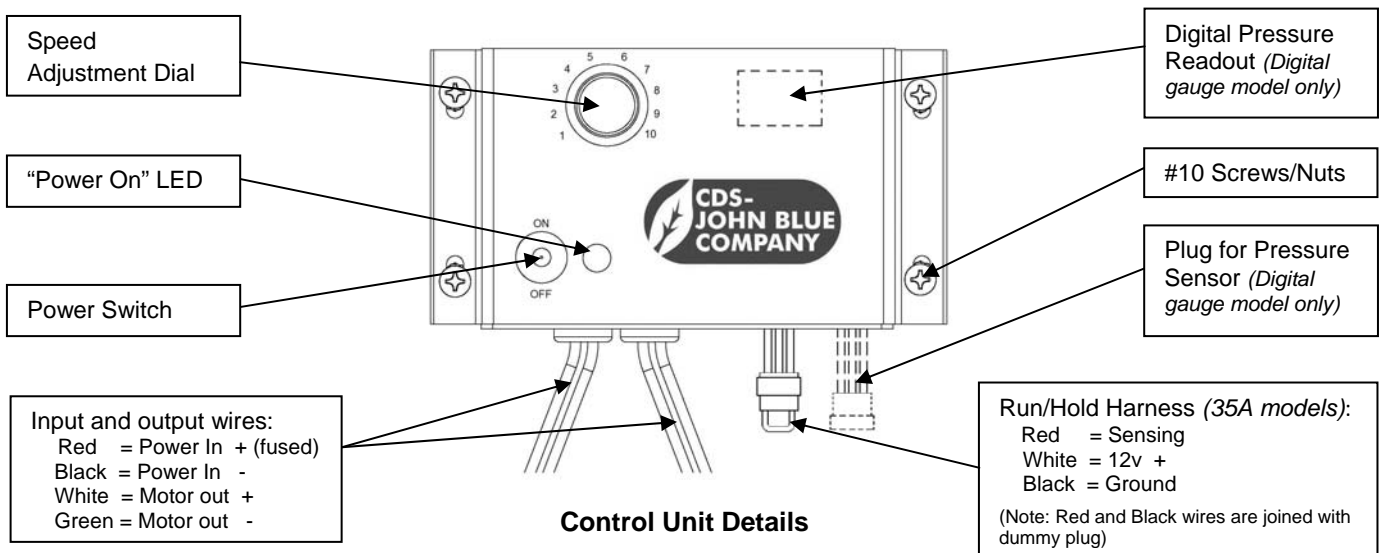
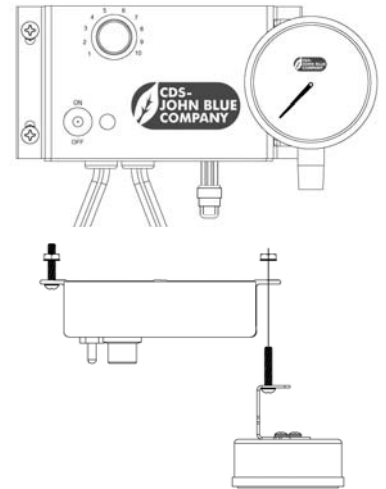
# 200 Series 12v DC Pump Speed Control Kit

**WARNING:** USE OF THIS PRODUCT FOR ANY PURPOSES OTHER THAN ITS ORIGINAL INTENT, ABUSE OF THE PRODUCT, AND/OR MODIFICATION TO THE ORIGINAL PRODUCT IS STRICTLY PROHIBITED BY CDS-JOHN BLUE COMPANY. CDS-JOHN BLUE COMPANY RESERVES THE RIGHT TO DENY WARRANTY OR LIABILITY CLAIMS IN ANY/ALL SITUATIONS INVOLVING MISUSE, ABUSE OR MODIFICATION.

FAILURE TO FOLLOW THIS NOTICE MAY RESULT IN SERIOUS INJURY AND/OR PROPERTY DAMAGE AND WILL VOID THE PRODUCT WARRANTY. IF IN DOUBT ABOUT YOUR APPLICATION, CONTACT YOUR STOCKING DEALER OR THE CDS-JOHN BLUE TECHNICAL STAFF AT 1-800-253-2583.

## Installation and Operation:

- Verify that the motor/pump to be operated draws less than or equal to the control's rated capacity at full load. This control has an in-line fuse sized to the unit's capacity. Locate the control unit **inside** the tractor cab (out of the weather), and mount with the provided #10 screws.
  - \*\* IMPORTANT \*\*** Only connect the harness with **red** and **black** wires to the power source. The red wire is positive, and the black is negative. Use a minimum of 14 AWG wire for the 15A control, and 12 AWG for the 35A control.
  - Connect the harness with white and green wires to the motor. The white wire is positive and the green wire is negative. Use a minimum of 14 AWG wire for the 15A control, and 12 AWG for the 35A control. You must run both wires to the motor connections – do not run the green wire to ground.
  - Mount the pressure gauge (if equipped) either outside of the cab or to the side of the control as shown using the supplied bracket. Connect the port of the gauge to an output line of the pump with the provided ¼" poly tubing and ¼" npt push-connect fittings. The tubing splice connector can be used as a line disconnect near the implement.
- \*\* For digital pressure gauge models:**
- Mount the sending unit in a protected area near the system, and connect the pressure line with the provided ¼" npt male adapter. The unit is designed for use up to 100 psi.
  - Be sure to mount the sending unit above the pressure port to allow the fluid to drain back to the system (for storage).
- Run/Hold optional connection (35A models only):
    - For use with a N.O. (normally open) whisker switch, cut the looped wire in the dummy plug and connect to your switch wires. A smaller gauge wire (18 AWG minimum) may be used for this low current circuit.
    - For use with a hall-effect sensor, remove the dummy plug and attach the plug from your sensor.



**Troubleshooting:**

If motor will not run:

- a.) Check polarity of power connections (the control unit is protected from reverse polarity).
- b.) Check for loose connections and a good ground.
- c.) Check for power (and proper voltage of 12-14 volts). Note that the unit will not run from a battery charger, and that the LED should be illuminated if the power switch is set to "on".
- d.) On 35A models, check that the run/hold dummy plug is in place, or check that the tool bar switch is functioning correctly.

If the motor speed is not being controlled (the motor is on, but only at a single speed):

- a.) Ensure that BOTH of the motor wires (white and green) are attached to the motor leads DIRECTLY. Do not run the green wire to system ground.

Parts List	Part #
Input/Output Cable Set (Includes: 10ft red/black power in, 20ft white/black motor out)	AKSCP-029
Gauge, Tube, and Fittings Kit (Includes: 20ft ¼" polyprop. tube, union, ¼" npt male & female adapters, AKSCP-023 gauge kit)	AKSCP-033
60psi SS Ammonia Gauge Kit – ¼" male npt inlet (Includes: AKSCP-005 gauge, AKSCP-022 bracket, 90505 screws)	AKSCP-023
Replacement Digital Pressure Sensor Assembly	AKSCP-030
Replacement 20ft Digital Pressure Sensor Cable	AKSCP-032
15ft Digital Pressure Sensor Extension Cable	AKSCP-021
20ft Motor Output Extension Cable	AKSCP-031
Mounting screw set (4 each: #10-24 x 1" screws and ext. tooth washer locknuts)	AKSCP-034



**CDS-John Blue Company**

Division of Advanced Systems  
Technology

165 Electronics Blvd., Huntsville AL 35824  
Telephone: (256) 721-9090 • Fax (256)-721-9091 Toll  
Free 1-800-253-2583



**LIMITED WARRANTY**

THIS WARRANTY IS IN LIEU OF ALL OTHER WRITTEN OR EXPRESS WARRANTIES AND REPRESENTATIONS. ANY IMPLIED WARRANTIES INCLUDING MERCHANTABILITY OR FITNESS FOR ANY PARTICULAR PURPOSE ARE EXPRESSLY LIMITED TO THIS WRITTEN WARRANTY. CDS-JOHN BLUE COMPANY SHALL NOT BE LIABLE FOR CONSEQUENTIAL DAMAGES.

Use of this product for any purpose other than its original intent, abuse of the product, and/or any modification to the original product is strictly prohibited by the manufacturer, CDS-John Blue Company. Any modification to the product should be approved by CDS-John Blue Company prior to use. CDS-John Blue Company will deny Warranty claims and liability in any situation involving misuse, abuse or modification.

Each new machine or component manufactured by CDS-John Blue Company through original buyer is warranted by CDS-John Blue Company to buyer and to any party or parties to whom buyer may resell, lease or lend the equipment to be free from defects in material and workmanship under normal use and service. This obligation of CDS-John Blue Company under this warranty is limited to the repair or replacement of defective parts or correction of improper workmanship of any parts of such equipment which shall within one year from the date of CDS-John Blue's original delivery thereof, be returned to CDS-John Blue's factory, transportation charges prepaid and which CDS-John Blue Company shall determine to its satisfaction upon examination thereof to have been thus defective. When it is impractical to return the defective parts of such equipment to CDS-John Blue's factory, then CDS-John Blue shall have no liability for the labor cost involved in repairing or replacing any such parts and shall be liable solely for supplying the material necessary to replace or repair the defective parts, provided that prior thereto CDS-John Blue Company shall have determined to its satisfaction that any such parts are thus defective.

This warranty shall not apply to any equipment which shall have been repaired or altered outside CDS-John Blue's factory in any way so as to affect its durability, nor which has been subjected to misuse, abuse, negligence or accident, or operated in any manner other than in accordance with operating instructions provided by CDS-John Blue Company. This warranty does not extend to repairs made necessary by the use of inferior or unsuitable parts or accessories, or parts or accessories not recommended by CDS-John Blue Company.

CDS-John Blue Company makes no warranties in respect to parts, accessories or components not manufactured by CDS-John Blue Company, same ordinarily being warranted separately by their respective manufacturers.

DIVISION OF ADVANCED SYSTEMS TECHNOLOGIES HUNTSVILLE, AL (256) 721-9090