

Now Easier Than Ever

# Hydraulically Drive A Piston Pump

Apply your liquid fertilizer with the best pump for the job. Do it easily with your hydraulic system.

We have **bar mount kits** and **direct drive kits** to fit most common configurations. Our JD series fits **John Deere®** and the PWM (pulse width modulation) series is for **Raven®, Ag Leader®, Dickey-John®** plus others and can be used for variable rate and sectional shut-off as desired. The MAN (manual) series lets you use your tractors' hydraulics for a

simple hydraulic driven system.

If you have questions about your application please call our Technical Sales Department so we can help you today, 800-253-2583.

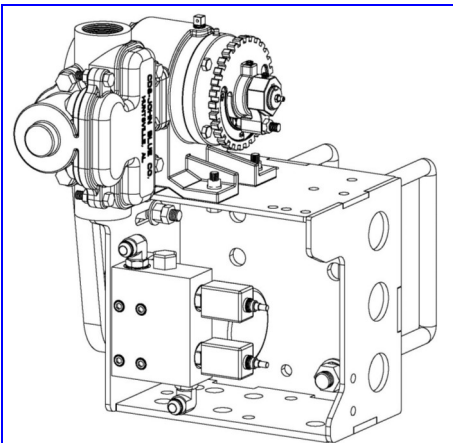
Below are just a few benefits of the CDS-John Blue Variable Rate Hydraulic Drive Kits:

- Easy to mount and set-up.
- Reasonably priced.
- Pick a manual speed hydraulic

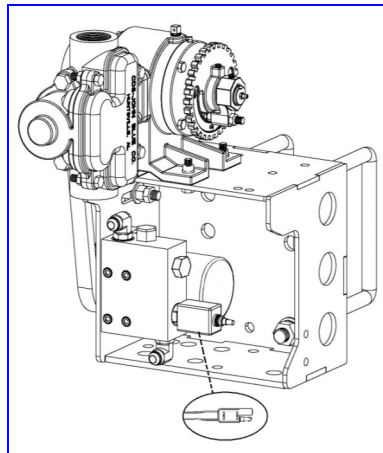
drive or use your electronics to control variable rate and even sectional shut-off.

- Complete step-by-step instructions.
- “Bracket only kits” allow the use of the Precision Planting® motor, Dickey-John motor and others.

**Bar Mount Kits:**

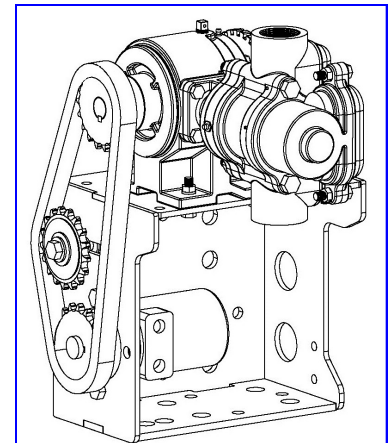


**VRH-JD-10 or VRH-JD-15** (above) Motor has manifold with PWM valve and bypass valve for **Deere** kits (includes custom wiring harnesses). VRH-JD-15 is for multi-sections.



**VRH-PWM-10** (above) Motor has manifold with PWM valve and **Raven**-type plug.

**116133-91** Bracket only (no motor); includes: bracket, chain/sprockets, and hardware.



**VRH-MAN-10** (above) Universal –fits all pumps. Motor has 1/2” Female pipe ports, comes with in-line manual flow control valve and tachometer.

**116045-91** (above) Motor has 1/2” Female pipe ports, no flow control valve.

**Special points of interest:**

- Congratulations **Elwyn Buse-nitz of Newton, KS** winner of the VisaGage II Flow Monitors at the National Farm Machinery Show.
- **NEW CDS-John Blue Poly Injection Check Valve for Irrigation Systems:** 200 GPH max duplex/100 GPH max simplex. Poly body, Viton seals, 316 SS spring, ball, injection tube. 10 psi spring— **Competitively Priced!**

**In Memoriam**



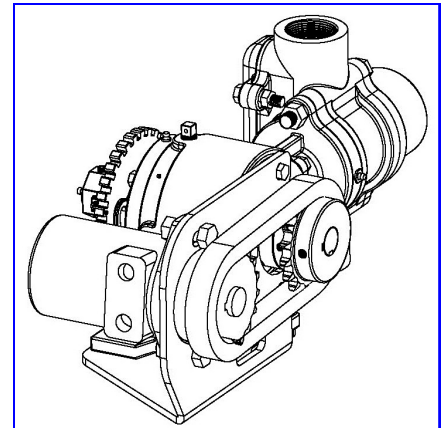
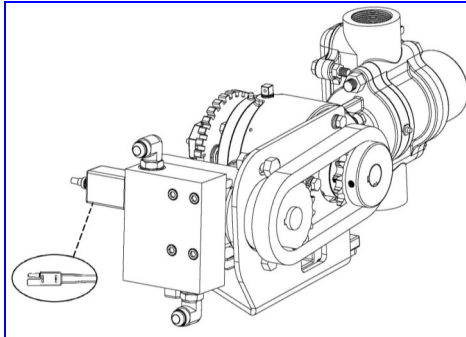
**Adam Telle, 1987-2012**, recently passed away in a tragic accident. Adam began his career at CDS-John Blue Company as a Design Engineer in 2010. He graduated from the University of Alabama at Birmingham (UAB) with a Bachelors Degree in Mechanical Engineering. Adam is survived by his parents.

*Adam will be deeply missed by his CDS-John Blue friends.*

(Continued from Front- Direct Drive Kits)

# Additional Hydraulic Drive Kits

**Direct Drive Kits:**



**(VRH-PWM-15 and VRH-PWM-17 Kits)**

**VRH-PWM-15** (above photo) Motor has manifold with PWM valve and **Raven** type plug, bracket fits NGP-6055/8055.

**VRH-PWM-17** Same as above with bracket to fit NGP-7055/9055.

**116131-91** Bracket only (no motor); includes: bracket for 6055/8055, chain/sprockets, and hardware.

**116132-91** Same as above with bracket to fit 7055/9055.

**VRH-MAN-15** (above photo) Motor has 1/2" Female pipe ports, bracket fits 6055/8055, comes with in-line manual flow control valve and tachometer.

**VRH-MAN-17** Same as above with bracket to fit 7055/9055 (above).

**116123-91** (above photo) Motor has 1/2" Female pipe ports, bracket fits 6055/8055, no flow control valve.

**116124-91** Same as above with bracket to fit 7055/9055 (above).

**Note:** The 6055/8055 bracket will not fit NGP-8055-AR. You must use a bar mount kit.

## CDS-John Blue 125th Anniversary Feature

Congratulations to **Gary Hipke**, Heartland Ag in Grand Island, NE winner of the 5th 125th Anniversary Contest. Gary correctly answered the question **"What was the model number of the first piston pump John Blue ever built?"** The answer is the LF Pump.

Thanks to everyone who participated in the CDS-John Blue 125th Anniversary Contest. The winners through the year were: **Delinda Taws**, Kisco Sales, Yuba City, CA, **Randy White**, New Crouch, FL, **Al McAleer**, Horvick Manufacturing, Fargo, ND and **Todd Yeazel**, FDS, Milton, WI.