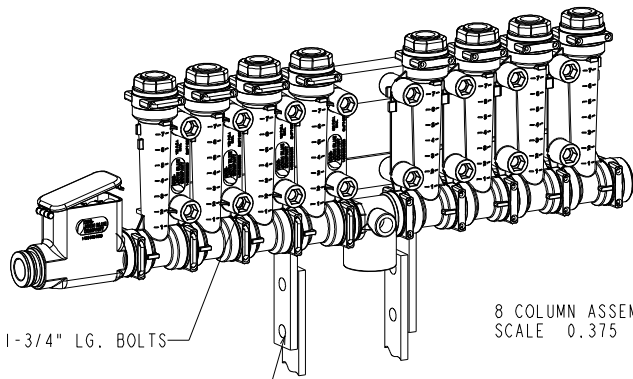
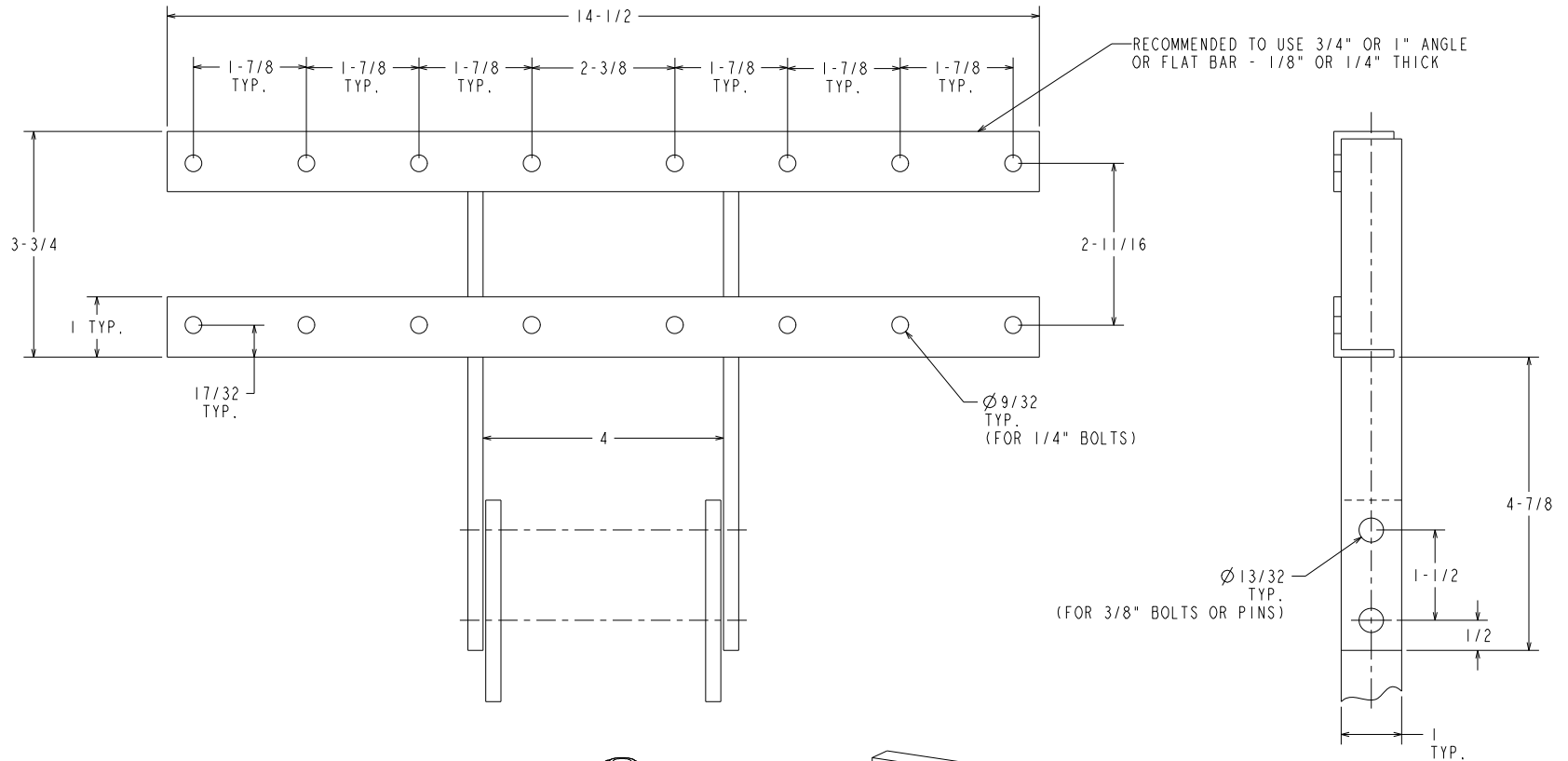


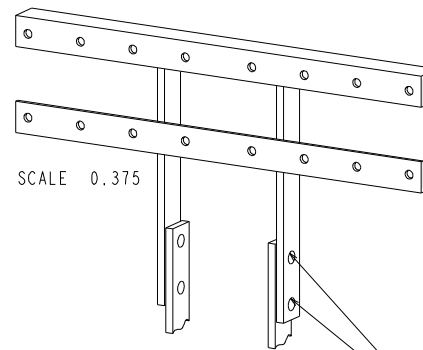
CONFIDENTIAL:

ALL SPECIFICATION REPRESENTED IS DEEMED CONFIDENTIAL, PROPRIETARY, AND THE SOLE INTELLECTUAL PROPERTY OF CDS - JOHN BLUE CO. NO DUPLICATION MAY BE MADE WITHOUT PRIOR WRITTEN CONSENT FROM CDS - JOHN BLUE CO. DUPLICATION INCLUDES BUT NOT LIMITED TO DOCUMENT AND / OR FABRICATION OF GOODS FOR THE PURPOSE OF DISTRIBUTION.



USE 1/4" x 1-3/4" LG. BOLTS

USE 3/8" x 1-1/4" LG. BOLTS AND/OR CLEVIS PINS



LOOSEN LOWER BOLTS, AND REMOVE UPPER BOLTS OR PINS TO TILT BRACKET FORWARD - ALLOWING ACCESS TO BALLS

R.L.	DATE	DESCRIPTION	CK
MATERIAL:			
DATE	9/27/2009	SCALE:	0.750
DRAWN BY:	JTS	TOLERANCES ON DIMENSIONS: (WHERE NOT SHOWN)	
CHECKED BY:	JTS	MACHINE DECIMALS ± .005	
DESIGNED BY:	JTS	CAST ± 1/32	
		ANGULAR ± 1°	
JOHN BLUE CO. HUNTSVILLE AL			
PART NAME: 8 COLUMN SMSS BRACKET			
PART NUMBER: FLOW MONITOR BRACKET EXAMPLE			