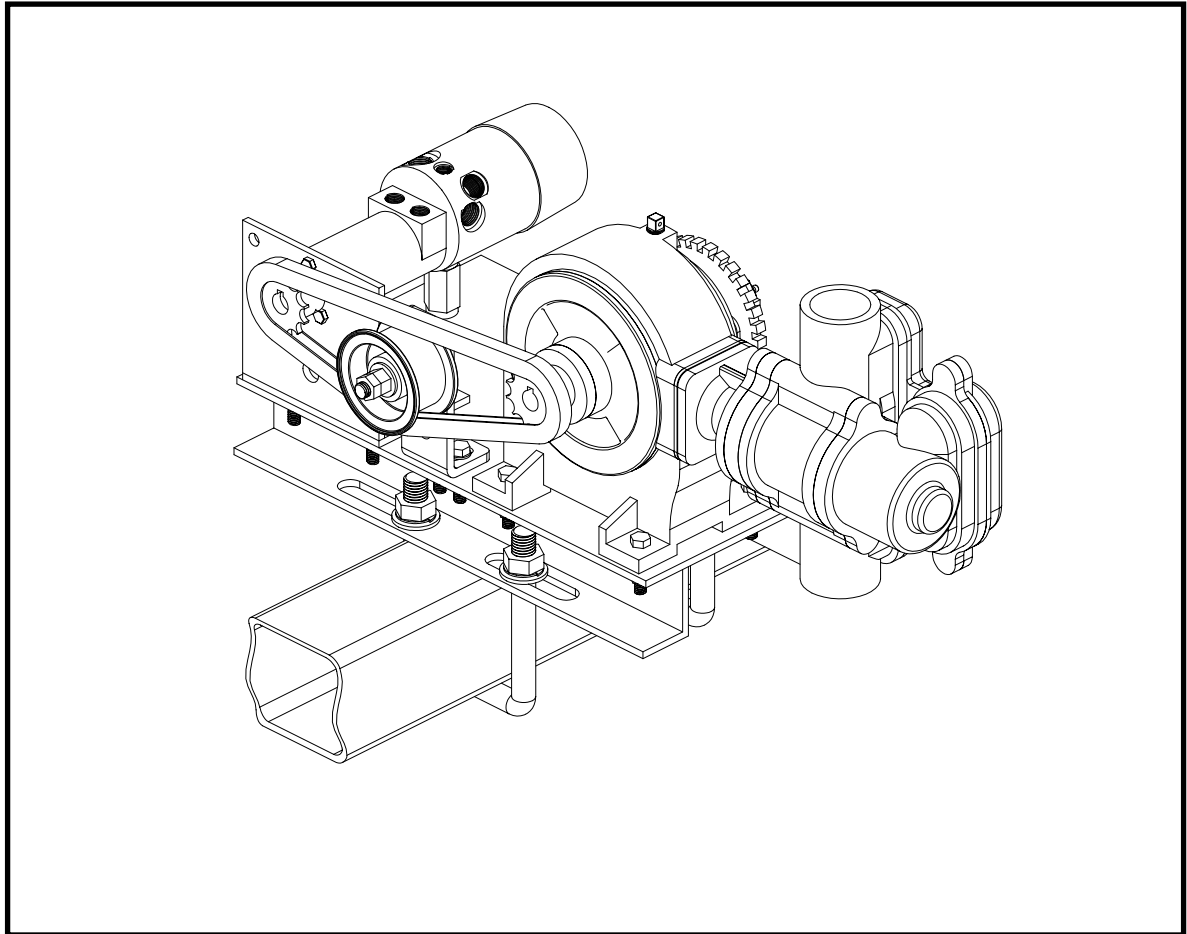




VRH-1000 HYDRAULIC VARIABLE RATE DRIVE AND MOUNT KIT

PARTS AND INSTRUCTION MANUAL



CDS-JOHN BLUE COMPANY

DIVISION OF ADVANCED SYSTEMS TECHNOLOGY, INC.
290 Pinehurst Drive - Huntsville, Alabama 35806
P.O. Box 1607 - Huntsville, Alabama 35807

Telephone: (256) 721-9090 - FAX: (256) 721-9091 - Toll Free: 1-800-253-2583

SAFETY PRECAUTIONS

- Equipment should be operated only by responsible people.
- A careful operator is the best insurance against an accident.
- Fill system with WATER first and check output.
- Check all valves, fittings, hose clamps, etc. for wear / leaks before admitting process fluid to the system.
- Replace hoses when worn, cracked, or if leaking.

WARNING: USE OF THIS PRODUCT FOR ANY PURPOSES OTHER THAN ITS ORIGINAL INTENT, ABUSE OF THE PRODUCT, AND/OR MODIFICATION TO THE ORIGINAL PRODUCT IS STRICTLY PROHIBITED BY CDS-JOHN BLUE COMPANY. CDS-JOHN BLUE COMPANY RESERVES THE RIGHT TO DENY WARRANTY OR LIABILITY CLAIMS IN ANY/ALL SITUATIONS INVOLVING MISUSE, ABUSE OR MODIFICATION.

THE ORIGINAL INTENT OF THIS PRODUCT DOES NOT INCLUDE USE WHERE THE MAXIMUM ALLOWED SPEED, PRESSURE, OR TEMPERATURE IS EXCEEDED, AND IT DOES NOT INCLUDE APPLICATIONS UTILIZING FLUIDS THAT ARE NOT COMPATIBLE WITH THE PRODUCT'S COMPONENT MATERIALS. DO NOT USE THIS PRODUCT WITH FLAMMABLE OR COMBUSTIBLE FLUIDS SUCH AS GASOLINE, KEROSENE, DIESEL, ETC..., AND DO NOT USE IN EXPLOSIVE ATMOSPHERES. FAILURE TO FOLLOW THIS NOTICE MAY RESULT IN SERIOUS INJURY AND/OR PROPERTY DAMAGE AND WILL VOID THE PRODUCT WARRANTY. IF IN DOUBT ABOUT YOUR APPLICATION, CONTACT YOUR STOCKING DEALER OR THE CDS-JOHN BLUE TECHNICAL STAFF AT 1-800-253-2583.

To The Owner

This manual has been prepared and illustrated to assist you in the maintenance of your CDS – JOHN BLUE PUMP. Enter your serial number and the date of the purchase in the space provided below for future reference in service information or for ordering parts. Because our engineering department is constantly improving products, we reserve the right to make design and specification changes without notice.

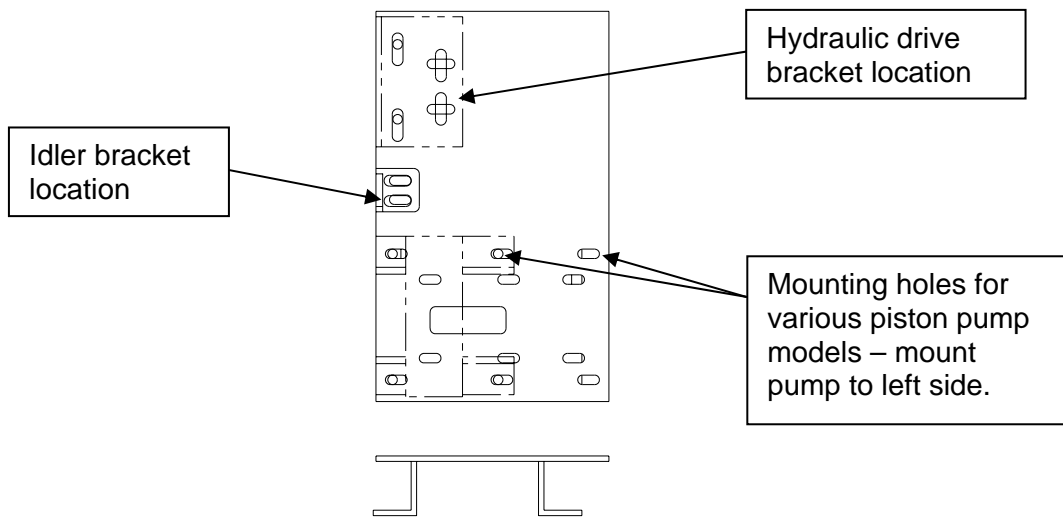
Model Number: _____ Serial Number: _____ Purchase Date: _____

TABLE OF CONTENTS

Safety Precautions	2
Table of Contents	3
Installation Notes	3
Parts Listing	4
Warranty	5

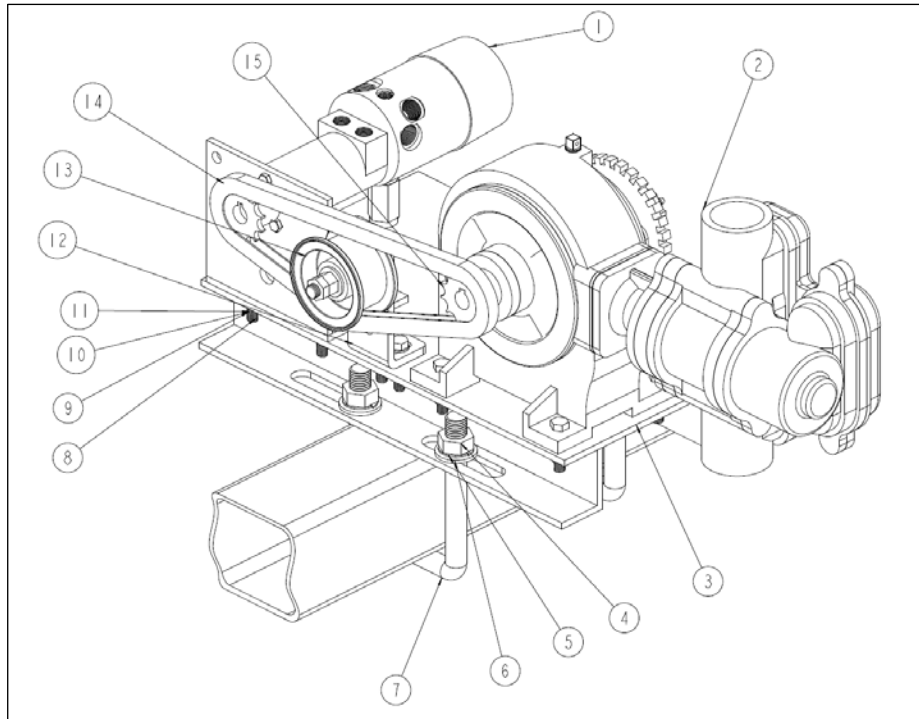
INSTALLATION

- See the Parts Listing on page 4 for a list of the components included in this kit, and a diagram detailing the assembly of them. The diagram below indicates where the components are to be placed on the mounting plate.



- Refer to the pump manual for specific instructions related to its installation.
 - Refer to the supplied Rawson manual for specific instructions related to setup of the hydraulic drive and control programming.
- ** Note: As supplied, this system is configured for a standard “Closed Center” Hydraulic system – please refer to the Rawson manual page 1-2 for further instructions if you have an “Open Center” system or if you have other hydraulic devices in the same circuit.**
- Be sure to send in the Rawson ACCU-RATE warranty activation card to Rawson.

PARTS LISTING



<u>ITEM</u>	<u>PART NUMBER</u>	<u>DESCRIPTION</u>	<u>QTY.</u>
1	VRH-999	Rawson Hydraulic Drive Package	1
2	N/A	Any CDS-John Blue Piston Metering Pump	1
3	115941-91	Mounting plate	1
4	92039	¾ - 10 Hex Nut – Plated	4
5	93028	¾ - Lock-washer – Std. Split – Plated	4
6	93018	¾ - SAE Flat-washer – Plated	4
7	ORDER SPECIFICALLY FOR BAR SIZE ON WHICH UNIT WILL BE MOUNTED:		
	115907-01A	U-bolt, 7x7 Bar (2 required per unit)	Sold Separately
	115907-01B	U-bolt, 4x4 Bar (2 required per unit)	Sold Separately
	115907-01C	U-bolt, 4x6 Bar (2 required per unit)	Sold Separately
	115907-01D	U-bolt, 6x6 Bar (2 required per unit)	Sold Separately
8	90656	3/8 – 16 NC x 1 ¾ HHMB – Plated	6
9	92024	3/8 – 16 Hex Nut – Plated	6
10	93024	3/8 – 16 Lock-washer – Std. Split – Plated	6
11	93011	3/8 – Flat-washer – Plated	6
12	115944-01	Idler Bracket	1
13	(Assy.) A-401	Idler Spool	1
	A-512	Ferrule	1
	92029	½ - 13 Hex Nut – Plated	1
	92031	½ - Jam-Nut – Plated	1
	90699	½ - 13 NC x 3 ¼ HHMB – Plated	1
14	(Assy.) 115039-01	Chain – 57 Links of A-5727, RC40	1
	S-2943	Connector Link – RC40	1
15	114516-01	Sprocket 12 Tooth, 1" Bore, ¼" Keyway, RC40	1

LIMITED WARRANTY – CDS-John Blue Components

THIS WARRANTY IS IN LIEU OF ALL OTHER WRITTEN OR EXPRESS WARRANTIES AND REPRESENTATIONS. ANY IMPLIED WARRANTIES INCLUDING MERCHANTABILITY OR FITNESS FOR ANY PARTICULAR PURPOSE ARE EXPRESSLY LIMITED TO THIS WRITTEN WARRANTY. CDS-JOHN BLUE COMPANY SHALL NOT BE LIABLE FOR CONSEQUENTIAL DAMAGES.

Use of this product for any purpose other than its original intent, abuse of the product, and/or any modification to the original product is strictly prohibited by the manufacturer, CDS-John Blue Company. Any modification to the product should be approved by CDS-John Blue Company prior to use. CDS-John Blue Company will deny Warranty claims and liability in any situation involving misuse, abuse or modification.

Each new machine or component manufactured by CDS-John Blue Company through original buyer is warranted by CDS-John Blue Company to buyer and to any party or parties to whom buyer may resell, lease or lend the equipment to be free from defects in material and workmanship under normal use and service. This obligation of CDS-John Blue Company under this warranty is limited to the repair or replacement of defective parts or correction of improper workmanship of any parts of such equipment which shall within one year from the date of CDS-John Blue's original delivery thereof, be returned to CDS-John Blue's factory, transportation charges prepaid and which CDS-John Blue Company shall determine to its satisfaction upon examination thereof to have been thus defective. When it is impractical to return the defective parts of such equipment to CDS-John Blue's factory, then CDS-John Blue shall have no liability for the labor cost involved in repairing or replacing any such parts and shall be liable solely for supplying the material necessary to replace or repair the defective parts, provided that prior thereto CDS-John Blue Company shall have determined to its satisfaction that any such parts are thus defective.

This warranty shall not apply to any equipment which shall have been repaired or altered outside CDS-John Blue's factory in any way so as to affect its durability, nor which has been subjected to misuse, abuse, negligence or accident, or operated in any manner other than in accordance with operating instructions provided by CDS-John Blue Company. This warranty does not extend to repairs made necessary by the use of inferior or unsuitable parts or accessories, or parts or accessories not recommended by CDS-John Blue Company.

CDS-John Blue Company makes no warranties in respect to parts, accessories or components not manufactured by CDS-John Blue Company, same ordinarily being warranted separately by their respective manufacturers.

DIVISION OF ADVANCED SYSTEM TECHNOLOGIES

HUNTSVILLE AL

(256) 721-9090



CDS-John Blue Company

Division of Advanced Systems Technology

290 Pinehurst Dr. Huntsville AL 35806

PO Box 1607 Huntsville AL 35807

Telephone: (256) 721-9090 - Fax (256)-721-9091 - Toll Free 1-800-253-2583

www.cds-johnblue.com

YOUR LOCAL DEALER

