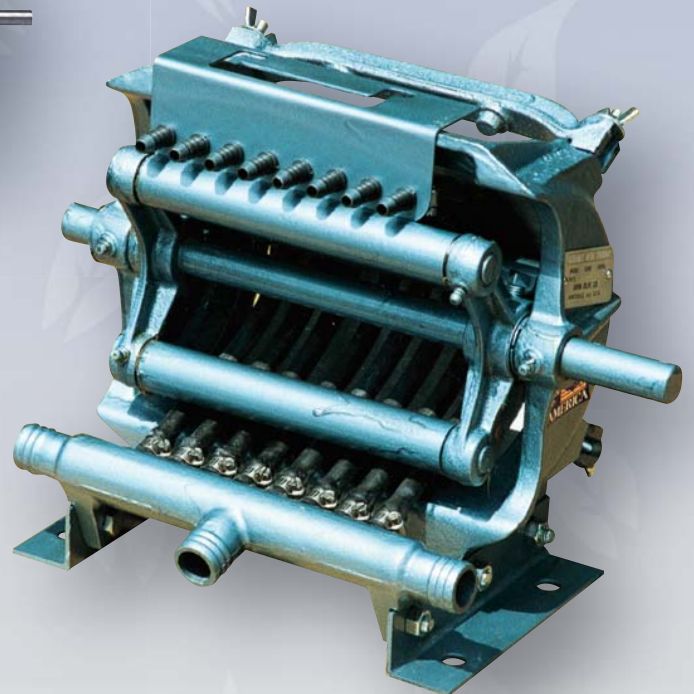
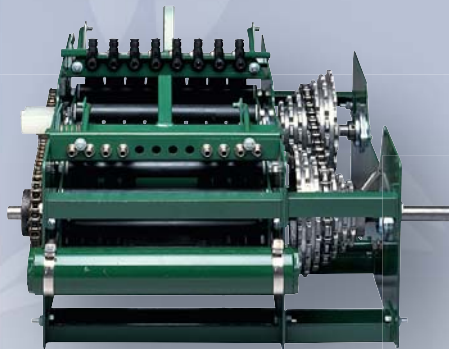
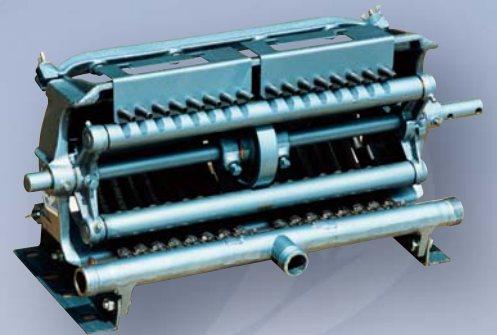
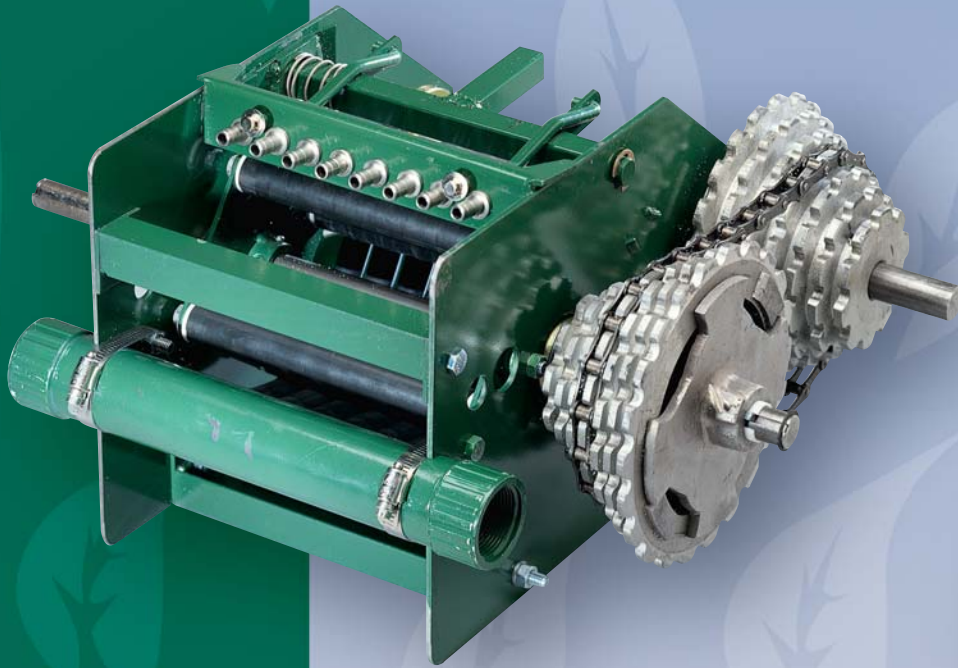




# CDS - John Blue Squeeze Tube Pumps

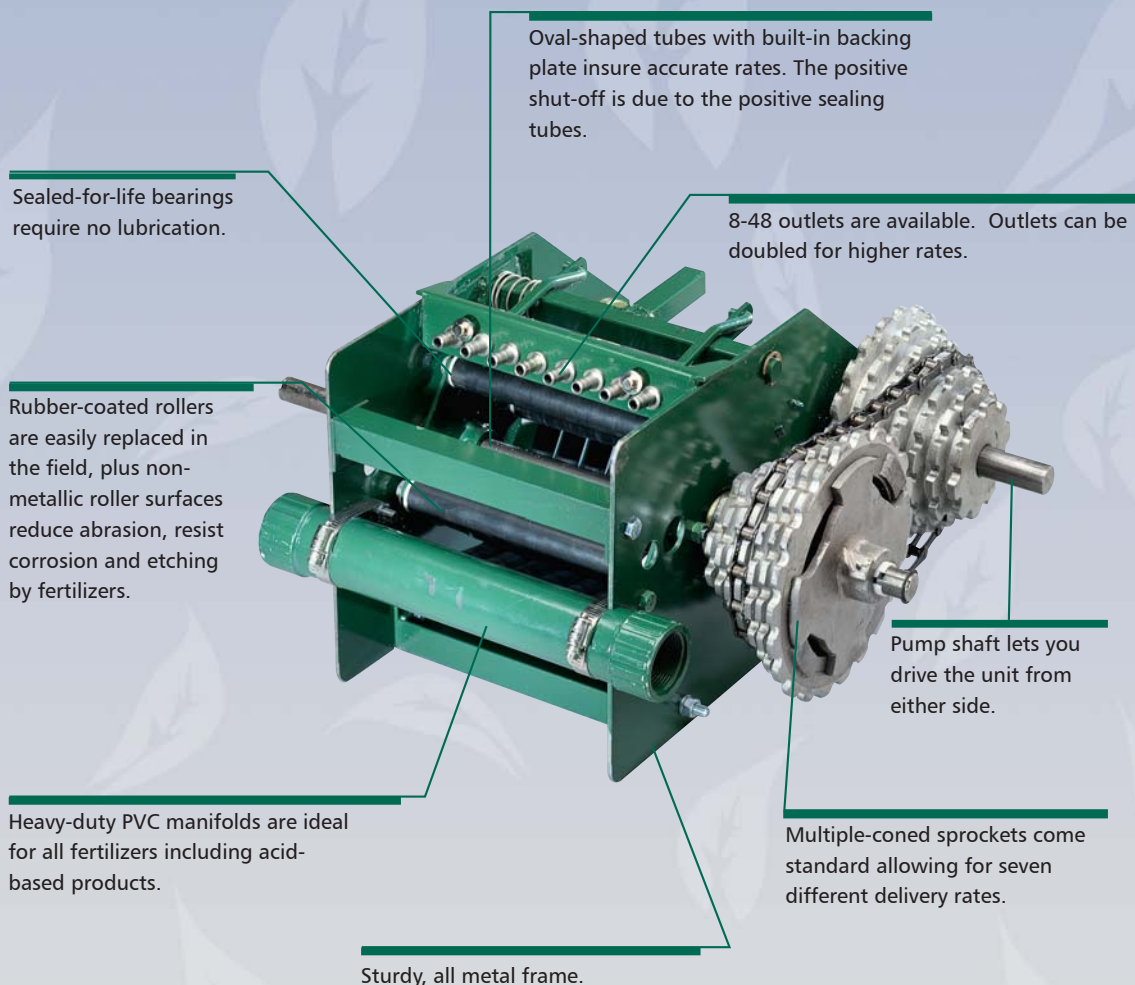


## No matter what you're pumping, CDS-John Blue Company has the answer with the choice of two different types of Squeeze Tube Pumps.

There's a CDS-John Blue Squeeze Tube Pump to meet virtually all of your application needs. The CDS-John Blue Squeeze Tube Pumps are designed for accuracy, built for durability and proven over again year after year in the field. You can choose from a pump with oval-shaped tubes and the backing plate built right into the tubes or from a pump with round hoses and the patented spring loaded backing plate. The choice is yours – oval or round tubes – each squeeze tube pump offers unique features for your specific application needs.

Free technical and engineering assistance is available from CDS-John Blue Company. Setting up your Squeeze Tube Pump? It's now very easy visit our web site: [www.cds-johnblue.com](http://www.cds-johnblue.com) for assistance.

### Oval-Shaped Tube with Built-in Backing Plate Squeeze Tube Pump



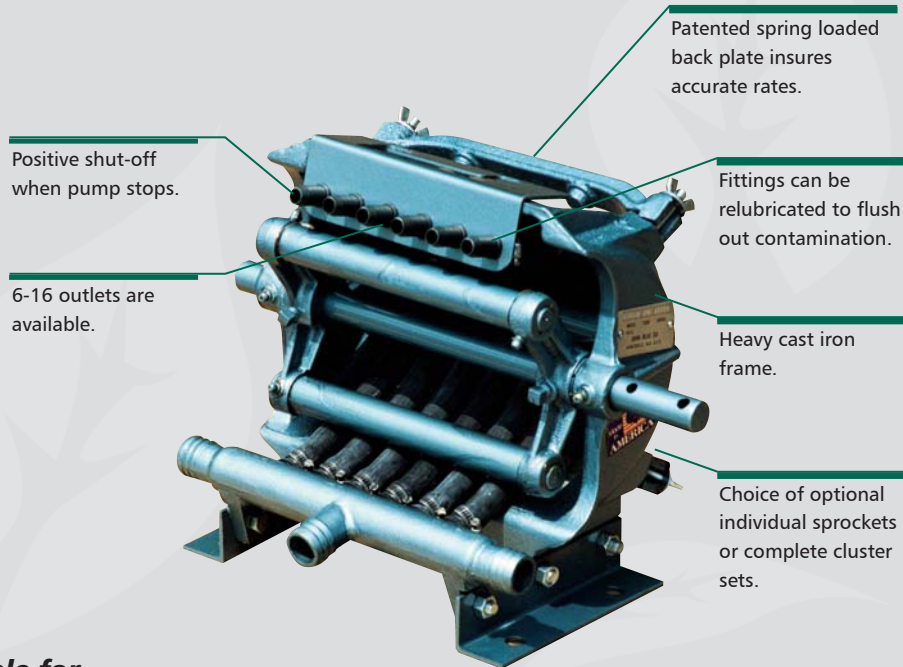
### Squeeze Pump Specifications

| Hose Size  | Maximum Output Per Hose | Maximum Speed | Maximum Pressure | Rate Range GPA |
|--|-------------------------|---------------|------------------|----------------|
| <b>Oval Shaped Tube With Built-in Backing Plate Squeeze Pump</b> |                         |               |                  |                |
| 3/8"   | .63 gpm                 | 100           | 6 psi            | 1.5-25*        |
| 5/8"   | 1.26 gpm                | 100           | 6 psi            | 3 - 50*        |
| <b>Round Hose Spring Loaded Back Plate Squeeze Pump</b>          |                         |               |                  |                |
| 5/16"  | .58 gpm                 | 125           | 6 psi            | 3-23**         |
| 1/2"   | 1.4 gpm                 | 125           | 6 psi            | 7-55**         |

\*Maximum GPA rating based on 5 MPH, 30 inch rows. Minimum is based on 24 pulses per minute.

\*\*Maximum rating based on 5 MPH, 30 inch rows. Minimum is based on 48 pulses per minute.

## Round Hose with Patented Spring Loaded Back Plate Squeeze Tube Pump



### Models Available for Round Hose Spring Loaded Back Plate Squeeze Tube Pump

| <b>Standard Models</b> |                |                    |      |                     |                   |
|------------------------|----------------|--------------------|------|---------------------|-------------------|
| Part Number            | Number of Rows | Metering Hose Size | GPA  | Discharge Hose Size | Suction Hose Size |
| L-6-C                  | 6              | 1/2"               | 7-55 | 1/2"                | 1"                |
| L-8-C                  | 8              | 5/16"              | 3-23 | 3/8"                | 1"                |
| L-8-LC                 | 8              | 1/2"               | 7-55 | 1/2"                | 1 1/4"            |
| L-12-SC                | 12             | 5/16"              | 3-23 | 3/8"                | 1 1/4"            |
| L-12-C                 | 12             | 1/2"               | 7-55 | 1/2"                | 1 1/4"            |
| L-16-C                 | 16             | 5/16"              | 3-23 | 3/8"                | 1 1/4"            |

**Models Available for Oval-shaped Squeeze Tube Pump with Built-in Backing Plate**

| <b>Standard Models</b> |                       |                           |            |                            |                          |
|------------------------|-----------------------|---------------------------|------------|----------------------------|--------------------------|
| <b>Part Number</b>     | <b>Number of Rows</b> | <b>Metering Hose Size</b> | <b>GPA</b> | <b>Discharge Hose Size</b> | <b>Suction Hose Size</b> |
| 8B-1                   | 8                     | 3/8"                      | 1.5-25     | 3/8"                       | 1 1/4" FNPT              |
| 8L                     | 8                     | 5/8"                      | 3-50       | 1/2"                       | 1 1/4" FNPT              |
| 12B-1                  | 12                    | 3/8"                      | 1.5-25     | 3/8"                       | 1 1/4" FNPT              |
| 12L                    | 12                    | 5/8"                      | 3-50       | 1/2"                       | 1 1/4" FNPT              |
| 16B-1                  | 16                    | 3/8"                      | 1.5-25     | 3/8"                       | 1 1/4" FNPT              |
| 16L                    | 16                    | 5/8"                      | 3-50       | 1/2"                       | 1 1/4" FNPT              |
| 24B-1                  | 24                    | 3/8"                      | 1.5-25     | 3/8"                       | 1 1/4" FNPT              |

| <b>Hydraulic Models</b> |    |      |        |      |             |
|-------------------------|----|------|--------|------|-------------|
| 8B-1H                   | 8  | 3/8" | 1.5-25 | 3/8" | 1 1/4" FNPT |
| 8L-H                    | 8  | 5/8" | 3-50   | 1/2" | 1 1/4" FNPT |
| 12B-1H                  | 12 | 3/8" | 1.5-25 | 3/8" | 1 1/4" FNPT |
| 12L-H                   | 12 | 5/8" | 3-50   | 1/2" | 1 1/4" FNPT |
| 16B-1H                  | 16 | 3/8" | 1.5-25 | 3/8" | 1 1/4" FNPT |
| 16L-H                   | 16 | 5/8" | 3-50   | 1/2" | 1 1/4" FNPT |

| <b>Combination Pump Models</b> |    |            |        |            |             |
|--------------------------------|----|------------|--------|------------|-------------|
| 8B-1/8L                        | 16 | 3/8 & 5/8" | 1.5-50 | 3/8 & 1/2" | 1 1/4" FNPT |
| 12B-1/8L                       | 20 | 3/8 & 5/8" | 1.5-50 | 3/8 & 1/2" | 1 1/4" FNPT |

| <b>Double Pump Models</b> |    |      |        |      |             |
|---------------------------|----|------|--------|------|-------------|
| 24LD                      | 24 | 5/8" | 3-50   | 1/2" | 1 1/4" FNPT |
| 32BD-1                    | 32 | 3/8" | 1.5-25 | 3/8" | 1 1/4" FNPT |
| 40BD-1                    | 40 | 3/8" | 1.5-25 | 3/8" | 1 1/4" FNPT |
| 48BD-1                    | 48 | 3/8" | 1.5-25 | 3/8" | 1 1/4" FNPT |

Note: B-1 Pumps have stainless steel fittings.  
 L Pumps have plastic fittings.  
 Combination Pumps have B-1 Pump at front (input drive end).

**Visit our web site: [www.cds-johnblue.com](http://www.cds-johnblue.com) for information on drives, sprockets and other accessories. Or contact your local CDS-John Blue Dealer for a complete product catalog.**

FPC00104-2-3000

**Available From:**



**CDS-John Blue Company,**  
 Division of Advanced Systems Technology, Inc.,  
 P.O. Box 1607  
 Huntsville, AL 35807  
 Tel: (256) 721-9090, 800-253-2583  
 Fax: (256) 721-9091

[www.cds-johnblue.com](http://www.cds-johnblue.com), E-mail: [info@cds-johnblue.com](mailto:info@cds-johnblue.com)