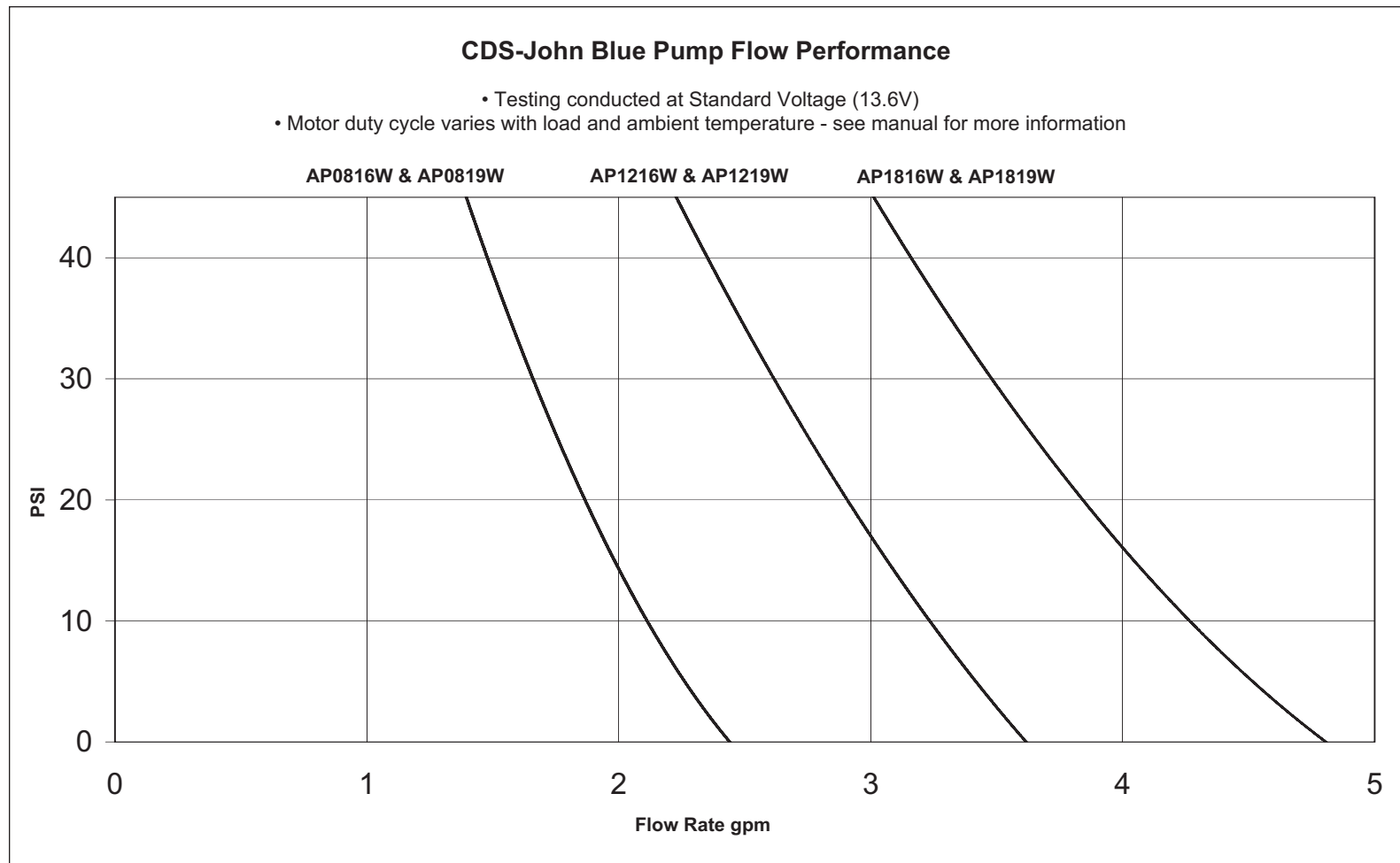




**Performance Data** **NEW 12-Volt Pumps from CDS-John Blue Company - Agri-Pump**



**Distributed by:**

**Features**

- Weatherproof tested - The only 12-volt pump to be totally protected against Weather, Dust and Overspray, backed by a 2-year Warranty!
- 4 piston diaphragm for smoother flow.
- Quick connect ports system means it's faster to install, requires fewer parts and connections while reducing the number of potential leak points.
- Integral pressure switch (fully sealed)
- Low current draw resulting in a longer battery life.
- Chemical resistant materials
- Automatic demand
- Runs dry without damage
- **2-year warranty**



**Model Specifications**

Product Code	AP0816W	AP0819W	AP1216W	AP1219W	AP1816W	AP1819W
Output @ Open Flow gpm	2.2		3.6		4.8	
Nominal Voltage	12V dc					
Maximum Operating Pressure	45 PSI					
Maximum AMP Draw	7 Amps		12 Amps		13 Amps	
Weight	5.3 lbs				6.4 lbs	
Inlet/Outlet Ports	15 mm quick connect ports	1/2" NPT Male	15 mm quick connect ports	1/2" NPT Male	15 mm quick connect ports	1/2" NPT Male
Connectors Included	Includes clear sight-glass strainer, 5 hose barb quick connect fittings.	None	Includes clear sight-glass strainer, 5 hose barb quick connect fittings.	None	Includes clear sight-glass strainer, 5 hose barb quick connect fittings.	None
Inlet Strainer Included	Yes		Yes		Yes	
Material	Diaphragm	Santoprene®				
	Valves	Santoprene®				
	Seals	Viton®				
	Housing	Glass Filled Polypropylene				
	Strainer	Polycarbonate, 316 stainless steel 50 mesh screen				
Minimum Wire Size	14 AWG			12 AWG		

**Contact CDS-John Blue Company**

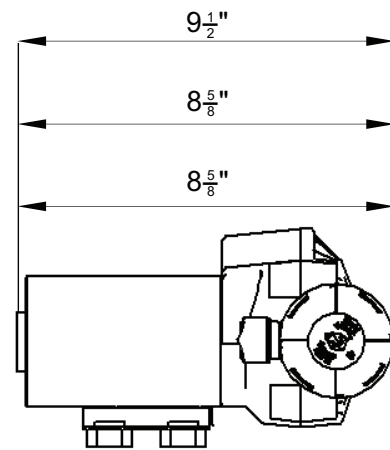
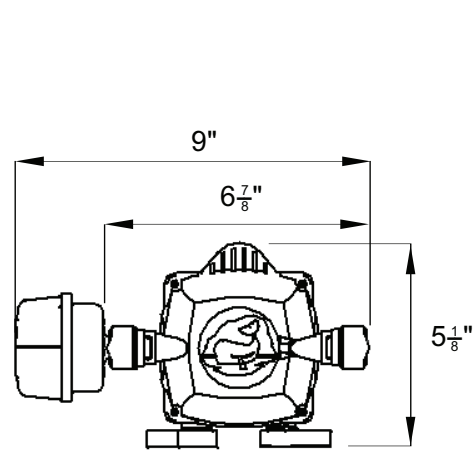
Division of Advanced Systems Technology  
PO Box 1607  
Huntsville, AL 35807  
Tel: 256-721-9090  
800-253-2583

info@cds-johnblue.com  
www.cds-johnblue.com

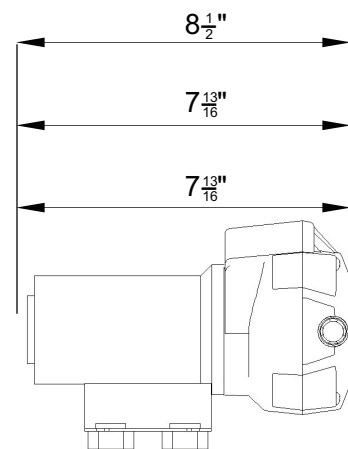
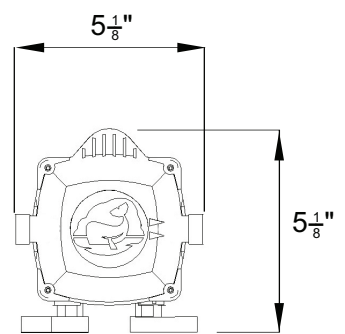
QUALITY MANAGEMENT SYSTEM  
CERTIFIED BY DNV  
ISO 9001:2000

## 12-Volt Agri-Pump

## Spare Parts Information

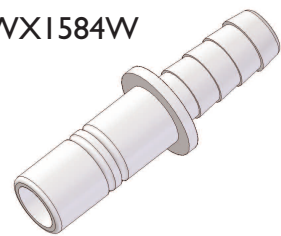


API816W  
API216W  
AP0816W



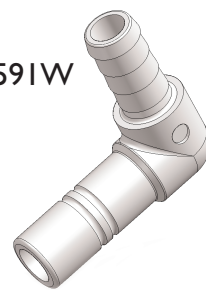
API819W  
API219W  
AP0819W

WX1584W



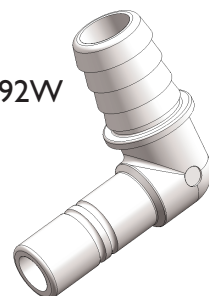
CDS-JOHN BLUE QUICK CONNECT - 1/2" BARB

WX1591W



CDS-JOHN BLUE QUICK CONNECT - 1/2" BARB ELBOW

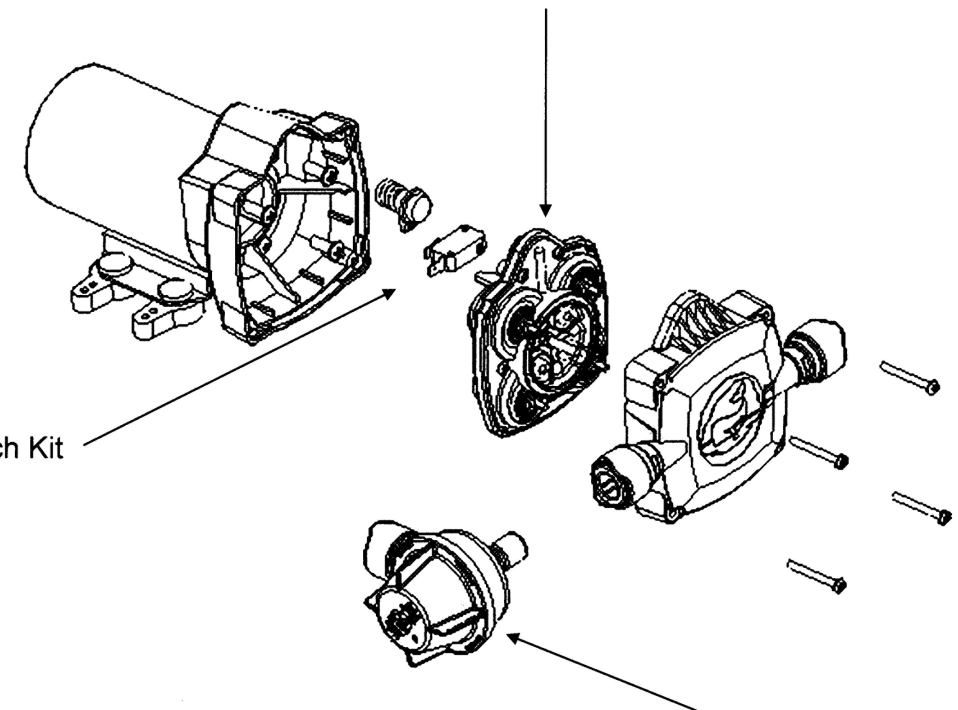
WX1592W



CDS-JOHN BLUE QUICK CONNECT - 3/4" BARB ELBOW

AK1322W Service Kit for Agri - Pump Head

AK1317W Microswitch Kit



AK1323W Strainer for Agri - Pump

AK1317W Universal Service Kit for 12-V Pump Microswitch

AK1322W Universal Service kit for Agri-Pump Head

AK1323W Universal Inlet Strainer - 90 degrees